

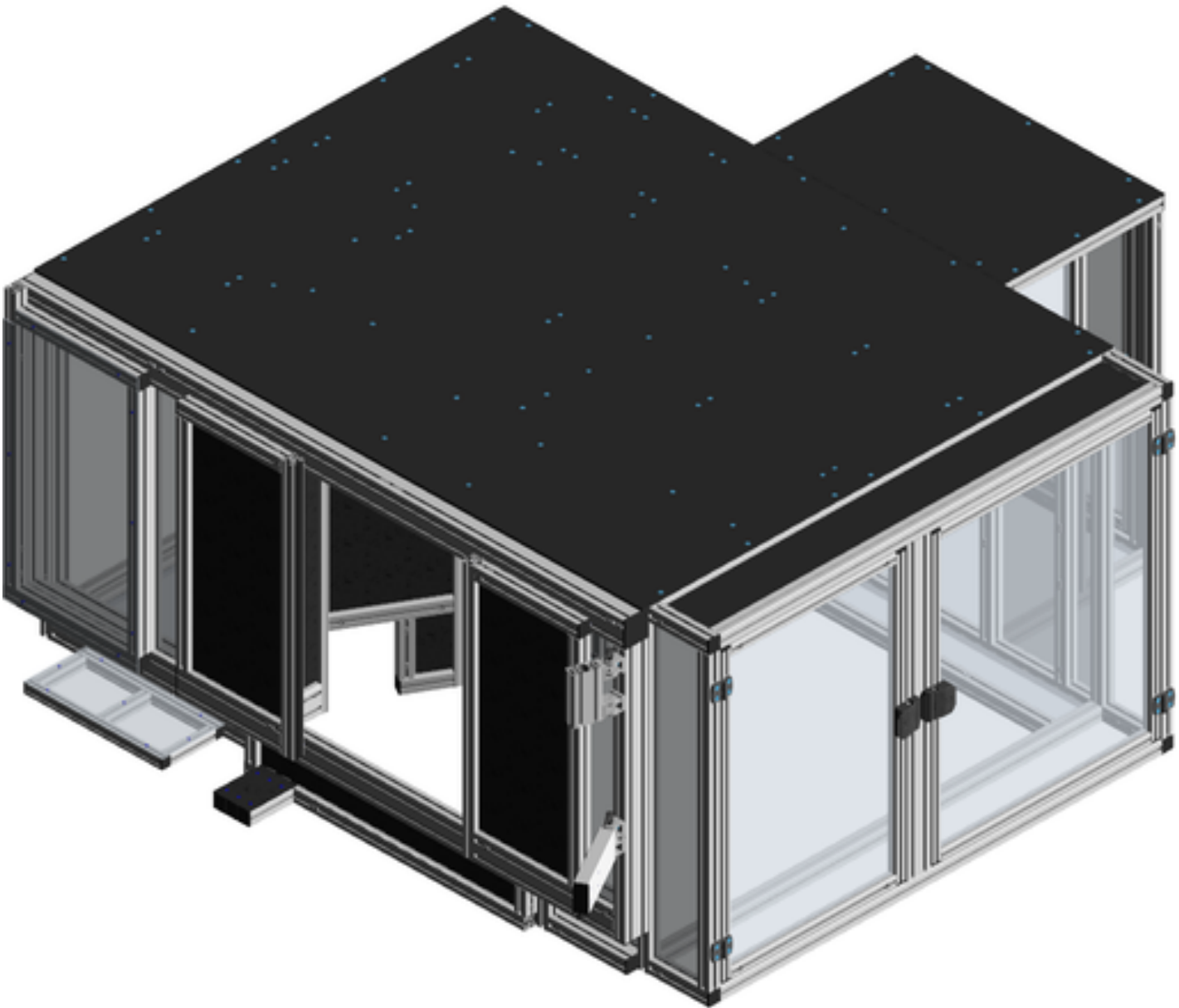
# CONSTRUCTION DOCUMENTATION



MayTec®

by FX Framexpert

Design Title : 3612.31201.50  
Revision Level : 1  
Approved by :  
Designer :  
Company :  
Address :  
E-Mail :  
Phone :  
Date : 2023-07-20



## Bill of materials (Number of kits: 1)

Pos	Article-No	Description	Units	Qty
1	1.11.030030.43LP-AA3AA3/150	Profile 30x30, 4F, light, plain	MM	1
2	1.11.030030.43LP-A00A00/450	Profile 30x30, 4F, light, plain	MM	1
3	1.11.030030.43LP-A00A00/450	Profile 30x30, 4F, light, plain **PER DRAWING 1**	MM	1
3.A	ZA1/60.0	Parallel-connector distance left: 60.0 mm, anchor on side: 4	EA	1
3.B	ZA1/209.0	Parallel-connector distance left: 209.0 mm, anchor on side: 4	EA	1
3.C	ZA1/289.0	Parallel-connector distance left: 289.0 mm, anchor on side: 4	EA	1
3.D	ZA1/410.0	Parallel-connector distance left: 410.0 mm, anchor on side: 4	EA	1
4	1.11.030030.43LP-AA1AA1/150	Profile 30x30, 4F, light, plain	MM	2
5	1.11.030030.43LP-AA4AA4/550	Profile 30x30, 4F, light, plain	MM	2
6	1.11.030030.43LP-AA4AA4/550	Profile 30x30, 4F, light, plain	MM	2
7	1.11.030030.43LP-A00A00/883	Profile 30x30, 4F, light, plain **PER DRAWING 2**	MM	2
7.A	Q11A2I07161-6.5	Counterbore, left Ø 6.5 mm, distance 413.5 mm, Side: 2	EA	2
7.B	Q11A2I07161-6.5	Counterbore, left Ø 6.5 mm, distance 469.5 mm, Side: 2	EA	2
8	1.11.030030.43LP-AA4AA4/640	Profile 30x30, 4F, light, plain	MM	4
9	1.11.030030.43LP-AA4AA4/700	Profile 30x30, 4F, light, plain	MM	4
10	1.11.030030.43LP-A00A00/883	Profile 30x30, 4F, light, plain **PER DRAWING 3**	MM	4
10.A	Q11A4I07161-6.5	Counterbore, left Ø 6.5 mm, distance 413.5 mm, Side: 4	EA	4
10.B	Q11A4I07161-6.5	Counterbore, left Ø 6.5 mm, distance 469.5 mm, Side: 4	EA	4
11	1.11.030030.43LP-A00A00/883	Profile 30x30, 4F, light, plain	MM	6
12	1.11.040040.43LP-AA4AA4/72	Profile 40x40, 4E, light, plain Position for cross bushing bore, left, L: 20.0 mm Position for cross bushing bore, right, L: 20.0 mm	MM	1
13	1.11.040040.43LP-AA2AA2/72	Profile 40x40, 4E, light, plain Position for cross bushing bore, left, L: 20.0 mm Position for cross bushing bore, right, L: 20.0 mm	MM	1
14	1.11.040040.43LP-AL0AA4/112	Profile 40x40, 4E, light, plain Depth of thread, left: 16.0 mm (M14)	MM	1
15	1.11.040040.43LP-AA1A00/129	Profile 40x40, 4E, light, plain	MM	1
16	1.11.040040.43LP-AA3A00/129	Profile 40x40, 4E, light, plain	MM	1
17	1.11.040040.43LP-AA1AA1/160	Profile 40x40, 4E, light, plain	MM	1
18	1.11.040040.43LP-AA2AA2/160	Profile 40x40, 4E, light, plain	MM	1
19	1.11.040040.43LP-AA1A00/194	Profile 40x40, 4E, light, plain	MM	1
20	1.11.040040.43LP-AA4AA4/255	Profile 40x40, 4E, light, plain	MM	1
21	1.11.040040.43LP-AA1AA4/260	Profile 40x40, 4E, light, plain	MM	1
22	1.11.040040.43LP-AA1AA1/305	Profile 40x40, 4E, light, plain	MM	1
23	1.11.040040.43LP-AA3AA3/317	Profile 40x40, 4E, light, plain	MM	1
24	1.11.040040.43LP-AA1A00/344	Profile 40x40, 4E, light, plain	MM	1
25	1.11.040040.43LP-AA4A00/344	Profile 40x40, 4E, light, plain	MM	1
26	1.11.040040.43LP-AA4AA4/390	Profile 40x40, 4E, light, plain	MM	1

## Bill of materials (Number of kits: 1)

Pos	Article-No	Description	Units	Qty
27	1.11.040040.43LP-AA4A00/404	Profile 40x40, 4E, light, plain **PER DRAWING 4**	MM	1
27.A	ZA4/100.0	Parallel-connector distance left: 100.0 mm, anchor on side: 3	EA	1
27.B	ZA4/304.0	Parallel-connector distance left: 304.0 mm, anchor on side: 3	EA	1
28	1.11.040040.43LP-A00A00/438	Profile 40x40, 4E, light, plain **PER DRAWING 5**	MM	1
28.A	ZA4/14.0	Parallel-connector distance left: 14.0 mm, anchor on side: 3	EA	1
28.B	ZA4/114.0	Parallel-connector distance left: 114.0 mm, anchor on side: 3	EA	1
28.C	ZA4/358.0	Parallel-connector distance left: 358.0 mm, anchor on side: 3	EA	1
29	1.11.040040.43LP-AA1AA1/500	Profile 40x40, 4E, light, plain	MM	1
30	1.11.040040.43LP-AA4AA4/500	Profile 40x40, 4E, light, plain	MM	1
31	1.11.040040.43LP-A00AA4/534	Profile 40x40, 4E, light, plain	MM	1
32	1.11.040040.43LP-AA1AA1/650	Profile 40x40, 4E, light, plain	MM	1
33	1.11.040040.43LP-AA4AA4/660	Profile 40x40, 4E, light, plain	MM	1
34	1.11.040040.43LP-AA4AA3/673	Profile 40x40, 4E, light, plain	MM	1
35	1.11.040040.43LP-AA3AA3/673	Profile 40x40, 4E, light, plain	MM	1
36	1.11.040040.43LP-AA4AA4/740	Profile 40x40, 4E, light, plain	MM	1
37	1.11.040040.43LP-AA4A00/754	Profile 40x40, 4E, light, plain	MM	1
38	1.11.040040.43LP-AA2A00/790	Profile 40x40, 4E, light, plain	MM	1
39	1.11.040040.43LP-A00AA1/794	Profile 40x40, 4E, light, plain **PER DRAWING 6**	MM	1
39.A	ZA3/21.0	Parallel-connector distance left: 21.0 mm, anchor on side: 2	EA	1
39.B	ZA3/61.0	Parallel-connector distance left: 61.0 mm, anchor on side: 2	EA	1
39.C	ZA1/181.0	Parallel-connector distance left: 181.0 mm, anchor on side: 2	EA	1
39.D	ZA1/694.0	Parallel-connector distance left: 694.0 mm, anchor on side: 2	EA	1
40	1.11.040040.43LP-A00A00/830	Profile 40x40, 4E, light, plain	MM	1
41	1.11.040040.43LP-AA3AA3/905	Profile 40x40, 4E, light, plain	MM	1
42	1.11.040040.43LP-AA3AL0/945	Profile 40x40, 4E, light, plain Depth of thread, right: 16.0 mm (M14) **PER DRAWING 7**	MM	1
42.A	ZA3/100.0	Parallel-connector distance left: 100.0 mm, anchor on side: 4	EA	1
42.B	ZA3/767.0	Parallel-connector distance left: 767.0 mm, anchor on side: 4	EA	1
43	1.11.040040.43LP-AA4AA4/1120	Profile 40x40, 4E, light, plain	MM	1
44	1.11.040040.43LP-AA4AA4/1320	Profile 40x40, 4E, light, plain	MM	1
45	1.11.040040.43LP-AA4AA4/1470	Profile 40x40, 4E, light, plain	MM	1
46	1.11.040040.43LP-AA1AA1/1520	Profile 40x40, 4E, light, plain	MM	1
47	1.11.040040.43LP-A00AA4/1550	Profile 40x40, 4E, light, plain	MM	1
48	1.11.040040.43LP-AA4A00/1550	Profile 40x40, 4E, light, plain	MM	1
49	1.11.040040.43LP-AA4A00/1949	Profile 40x40, 4E, light, plain **PER DRAWING 8**	MM	1
49.A	Q10A2I00000-12.0	Cross bore, left $\emptyset$ 12.0 mm, distance 470.0 mm, Side: 2	EA	1
49.B	Q10A2I00000-12.0	Cross bore, left $\emptyset$ 12.0 mm, distance 1670.0 mm, Side: 2	EA	1

## Bill of materials (Number of kits: 1)

Pos	Article-No	Description	Units	Qty
50	1.11.040040.43LP-AA4AA4/1950	Profile 40x40, 4E, light, plain	MM	1
51	1.11.040040.43LP-AA1AA1/75.8	Profile 40x40, 4E, light, plain Position for cross bushing bore, left, L: 20.0 mm Position for cross bushing bore, right, L: 20.0 mm	MM	2
52	1.11.040040.43LP-AA4AA4/360	Profile 40x40, 4E, light, plain	MM	2
53	1.11.040040.43LP-AA1AA1/390	Profile 40x40, 4E, light, plain	MM	2
54	1.11.040040.43LP-AA4AA4/713	Profile 40x40, 4E, light, plain	MM	2
55	1.11.040040.43LP-AA4AA4/750	Profile 40x40, 4E, light, plain	MM	2
56	1.11.040040.43LP-AA1A00/754	Profile 40x40, 4E, light, plain <b>**PER DRAWING 9**</b>	MM	2
56.A	ZA4/60.0	Parallel-connector distance left: 60.0 mm, anchor on side: 1	EA	2
56.B	ZA4/694.0	Parallel-connector distance left: 694.0 mm, anchor on side: 1	EA	2
57	1.11.040040.43LP-AA4AA4/770	Profile 40x40, 4E, light, plain	MM	2
58	1.11.040040.43LP-AL0A00/793	Profile 40x40, 4E, light, plain Depth of thread, left: 31.0 mm (M14)	MM	2
59	1.11.040040.43LP-A00AA4/945	Profile 40x40, 4E, light, plain	MM	2
60	1.11.040040.43LP-AA4A00/194	Profile 40x40, 4E, light, plain	MM	3
61	1.11.040040.43LP-AA3AA3/305	Profile 40x40, 4E, light, plain	MM	3
62	1.11.040040.43LP-AA4AA4/905	Profile 40x40, 4E, light, plain	MM	3
63	1.11.040040.43LP-AA1AA1/905	Profile 40x40, 4E, light, plain	MM	3
64	1.11.040040.43LP-AA1AA1/1470	Profile 40x40, 4E, light, plain	MM	3
65	1.11.040080.04LP-FL0F00/230	Profile 40x80, 0E, light, plain Depth of thread, left: 16.0 mm Position of thread, left: b (M14) <b>**PER DRAWING 10**</b>	MM	1
65.A	Q10A2I00000-6.5	Cross bore, left $\emptyset$ 6.5 mm, distance 143.0 mm, Side: 2	EA	1
65.B	Q10A2I00000-6.5	Cross bore, left $\emptyset$ 6.5 mm, distance 143.0 mm, Side: 2	EA	1
65.C	Q10A2I00000-6.5	Cross bore, left $\emptyset$ 6.5 mm, distance 210.0 mm, Side: 2	EA	1
65.D	Q10A2I00000-6.5	Cross bore, left $\emptyset$ 6.5 mm, distance 210.0 mm, Side: 2	EA	1
66	1.11.040080.64LP-FA4FA4/75.8	Profile 40x80, 6E, light, plain Position for cross bushing bore, left, L: 20.0 mm Position for cross bushing bore, right, L: 20.0 mm Position for cross bushing bore, left: E;Position for cross bushing bore, right: E;	MM	1
67	1.11.040080.64LP-FA2FA2/75.8	Profile 40x80, 6E, light, plain Position for cross bushing bore, left, L: 20.0 mm Position for cross bushing bore, right, L: 20.0 mm Position for cross bushing bore, left: C;Position for cross bushing bore, right: C;	MM	1
68	1.11.040080.64LP-F00F00/142	Profile 40x80, 6E, light, plain	MM	1
69	1.11.040080.64LP-F00F00/152	Profile 40x80, 6E, light, plain <b>**PER DRAWING 11**</b>	MM	1
69.A	ZA2/132.0	Parallel-connector distance left: 132.0 mm, anchor on side: 1	EA	1

## Bill of materials (Number of kits: 1)

Pos	Article-No	Description	Units	Qty
70	1.11.040080.64LP-F00FL0/152	Profile 40x80, 6E, light, plain Depth of thread, right: 16.0 mm Position of thread, right: a (M14) **PER DRAWING 12**	MM	1
70.A	ZA4/20.0	Parallel-connector distance left: 20.0 mm, anchor on side: 3	EA	1
71	1.11.040080.64LP-FA1FB1/255	Profile 40x80, 6E, light, plain Position for cross bushing bore, left: A;	MM	1
72	1.11.040080.64LP-FB0FB0/255	Profile 40x80, 6E, light, plain Position for cross bushing bore, left: DF;Position for cross bushing bore, right: DF; **PER DRAWING 13**	MM	1
72.A	ZA4/60.0	Parallel-connector distance left: 60.0 mm, anchor on side: 3	EA	1
72.B	ZA4/195.0	Parallel-connector distance left: 195.0 mm, anchor on side: 3	EA	1
73	1.11.040080.64LP-FB4F00/344	Profile 40x80, 6E, light, plain	MM	1
74	1.11.040080.64LP-F00FB4/344	Profile 40x80, 6E, light, plain	MM	1
75	1.11.040080.64LP-FB2FB2/390	Profile 40x80, 6E, light, plain	MM	1
76	1.11.040080.64LP-FB0FB0/685	Profile 40x80, 6E, light, plain Position for cross bushing bore, left: AE;Position for cross bushing bore, right: AE; **PER DRAWING 14**	MM	1
76.A	ZA4/60.0	Parallel-connector distance left: 60.0 mm, anchor on side: 1	EA	1
76.B	ZA4/625.0	Parallel-connector distance left: 625.0 mm, anchor on side: 1	EA	1
77	1.11.040080.64LP-FB0FB0/713	Profile 40x80, 6E, light, plain Position for cross bushing bore, left: AE;Position for cross bushing bore, right: AE;	MM	1
78	1.11.040080.64LP-FB1FB1/740	Profile 40x80, 6E, light, plain	MM	1
79	1.11.040080.64LP-F00FB1/787	Profile 40x80, 6E, light, plain	MM	1
80	1.11.040080.64LP-F00FB4/787	Profile 40x80, 6E, light, plain **PER DRAWING 15**	MM	1
80.A	ZA4/60.0	Parallel-connector distance left: 60.0 mm, anchor on side: 3	EA	1
80.B	ZA4/727.0	Parallel-connector distance left: 727.0 mm, anchor on side: 3	EA	1
81	1.11.040080.64LP-FB1FB1/905	Profile 40x80, 6E, light, plain	MM	1
82	1.11.040080.64LP-FB1FB1/905	Profile 40x80, 6E, light, plain **PER DRAWING 16**	MM	1
82.A	Q11A2I07161-6.5	Counterbore, left Ø 6.5 mm, distance 424.5 mm, Side: 2	EA	1
82.B	Q11A2I07161-6.5	Counterbore, left Ø 6.5 mm, distance 480.5 mm, Side: 2	EA	1
83	1.11.040080.64LP-FB2FB1/905	Profile 40x80, 6E, light, plain **PER DRAWING 17**	MM	1
83.A	Q11A2I07161-6.5	Counterbore, left Ø 6.5 mm, distance 424.5 mm, Side: 2	EA	1
83.B	Q11A2I07161-6.5	Counterbore, left Ø 6.5 mm, distance 480.5 mm, Side: 2	EA	1
83.C	Q11A2I07161-6.5	Counterbore, left Ø 6.5 mm, distance 424.5 mm, Side: 2	EA	1
83.D	Q11A2I07161-6.5	Counterbore, left Ø 6.5 mm, distance 480.5 mm, Side: 2	EA	1

## Bill of materials (Number of kits: 1)

Pos	Article-No	Description	Units	Qty
84	1.11.040080.64LP-FB4FB4/905	Profile 40x80, 6E, light, plain **PER DRAWING 18**	MM	1
84.A	Q11A4I07161-6.5	Counterbore, left Ø 6.5 mm, distance 424.5 mm, Side: 4	EA	1
84.B	Q11A4I07161-6.5	Counterbore, left Ø 6.5 mm, distance 480.5 mm, Side: 4	EA	1
84.C	Q11A4I07161-6.5	Counterbore, left Ø 6.5 mm, distance 424.5 mm, Side: 4	EA	1
84.D	Q11A4I07161-6.5	Counterbore, left Ø 6.5 mm, distance 480.5 mm, Side: 4	EA	1
85	1.11.040080.64LP-FB0F00/945	Profile 40x80, 6E, light, plain Position for cross bushing bore, left: DF; **PER DRAWING 19**	MM	1
85.A	Q11A2I07161-6.5	Counterbore, left Ø 6.5 mm, distance 424.5 mm, Side: 2	EA	1
85.B	Q11A2I07161-6.5	Counterbore, left Ø 6.5 mm, distance 480.5 mm, Side: 2	EA	1
86	1.11.040080.64LP-FB1FB1/1950	Profile 40x80, 6E, light, plain	MM	1
87	1.11.040080.64LP-FB0FB0/1950	Profile 40x80, 6E, light, plain Position for cross bushing bore, left: AC;Position for cross bushing bore, right: AC;	MM	1
88	1.11.040080.64LP-FB1FB1/353.5	Profile 40x80, 6E, light, plain	MM	2
89	1.11.040080.64LP-FB1FB1/390	Profile 40x80, 6E, light, plain	MM	2
90	1.11.040120.84LP-F00FC4/142	Profile 40x120, 8E, LP	MM	1
91	1.11.040120.84LP-FB4FB4/930	Profile 40x120, 8E, LP Position for cross bushing bore, left: GH;Position for cross bushing bore, right: GH;	MM	1
92	1.11.040R30.20LP-A00A00/754	Profile 40, round 30° , 2F, light, plain	MM	2
93	1.11.040R30.20LP-AL0A00/768.9	Profile 40, round 30° , 2F, light, plain Depth of thread, left: 16.0 mm (M14)	MM	2
94	1.11.080080.83LP-L00L00/2018	Profile 80x80, 8E, light, plain **PER DRAWING 20**	MM	1
94.A	ZA3/2004.0	Parallel-connector distance left: 2004.0 mm, anchor on side: 4	EA	1
95	1.41.E314.1-A00A00/411	Combination profile PP, E, 1 - 4.5, grey (bar 2.5 m)	MM	1
96	1.41.E314.1-A00A00/1118	Combination profile PP, E, 1 - 4.5, grey (bar 2.5 m)	MM	1
97	1.41.E314.1-A00A00/1119	Combination profile PP, E, 1 - 4.5, grey (bar 2.5 m)	MM	1
98	1.41.E314.1-A00A00/1468	Combination profile PP, E, 1 - 4.5, grey (bar 2.5 m)	MM	1
99	1.41.E314.1-A00A00/1468	Combination profile PP, E, 1 - 4.5, grey (bar 2.5 m)	MM	1
100	1.41.E314.1-A00A00/70	Combination profile PP, E, 1 - 4.5, grey (bar 2.5 m)	MM	2
101	1.41.E314.1-A00A00/110	Combination profile PP, E, 1 - 4.5, grey (bar 2.5 m)	MM	2
102	1.41.E314.1-A00A00/254	Combination profile PP, E, 1 - 4.5, grey (bar 2.5 m)	MM	2
103	1.41.E314.1-A00A00/389	Combination profile PP, E, 1 - 4.5, grey (bar 2.5 m)	MM	2
104	1.41.E314.1-A00A00/391	Combination profile PP, E, 1 - 4.5, grey (bar 2.5 m)	MM	2
105	1.41.E314.1-A00A00/418	Combination profile PP, E, 1 - 4.5, grey (bar 2.5 m)	MM	2
106	1.41.E314.1-A00A00/513	Combination profile PP, E, 1 - 4.5, grey (bar 2.5 m)	MM	2
107	1.41.F14.1-A00A00/550	Combination profile PP, F, 1-4.5, grey (bar 2.5 m)	MM	2
108	1.41.E314.1-A00A00/315	Combination profile PP, E, 1 - 4.5, grey (bar 2.5 m)	MM	1

## Bill of materials (Number of kits: 1)

Pos	Article-No	Description	Units	Qty
109	1.41.E314.1-A00A00/317	Combination profile PP, E, 1 - 4.5, grey (bar 2.5 m)	MM	1
110	1.41.E314.1-A00A00/240	Combination profile PP, E, 1 - 4.5, grey (bar 2.5 m)	MM	2
111	1.41.E314.1-A00A00/748	Combination profile PP, E, 1 - 4.5, grey (bar 2.5 m)	MM	2
112	1.41.E314.1-A00A00/408	Combination profile PP, E, 1 - 4.5, grey (bar 2.5 m)	MM	4
113	1.41.E314.1-A00A00/500	Combination profile PP, E, 1 - 4.5, grey (bar 2.5 m)	MM	4
114	1.41.E314.1-A00A00/713	Combination profile PP, E, 1 - 4.5, grey (bar 2.5 m)	MM	4
115	1.41.E314.1-A00A00/72	Combination profile PP, E, 1 - 4.5, grey (bar 2.5 m)	MM	6
116	1.41.E314.1-A00A00/160	Combination profile PP, E, 1 - 4.5, grey (bar 2.5 m)	MM	6
117	1.41.E314.1-A00A00/390	Combination profile PP, E, 1 - 4.5, grey (bar 2.5 m)	MM	6
118	1.41.E314.1-A00A00/903	Combination profile PP, E, 1 - 4.5, grey (bar 2.5 m)	MM	8
119	1.41.F14.1-A00A00/550	Combination profile PP, F, 1-4.5, grey (bar 2.5 m)	MM	2
120	1.41.F14.1-A00A00/640	Combination profile PP, F, 1-4.5, grey (bar 2.5 m)	MM	4
121	1.41.F14.1-A00A00/700	Combination profile PP, F, 1-4.5, grey (bar 2.5 m)	MM	4
122	1.41.E346.1-A00A00/1468	Combination profile PP, E, 4.5 - 6, grey (bar 2.5 m)	MM	1
123	1.41.E346.1-A00A00/1468	Combination profile PP, E, 4.5 - 6, grey (bar 2.5 m)	MM	1
124	1.41.E346.1-A00A00/160	Combination profile PP, E, 4.5 - 6, grey (bar 2.5 m)	MM	2
125	1.41.E314.1-A00A00/109	Combination profile PP, E, 1 - 4.5, grey (bar 2.5 m)	MM	1
126	1.41.E314.1-A00A00/479	Combination profile PP, E, 1 - 4.5, grey (bar 2.5 m)	MM	1
127	1.41.E314.1-A00A00/749	Combination profile PP, E, 1 - 4.5, grey (bar 2.5 m)	MM	1
128	1.41.E314.1-A00A00/94	Combination profile PP, E, 1 - 4.5, grey (bar 2.5 m)	MM	2
129	1.41.E314.1-A00A00/95	Combination profile PP, E, 1 - 4.5, grey (bar 2.5 m)	MM	2
130	1.41.E314.1-A00A00/159	Combination profile PP, E, 1 - 4.5, grey (bar 2.5 m)	MM	2
131	1.41.E314.1-A00A00/253	Combination profile PP, E, 1 - 4.5, grey (bar 2.5 m)	MM	2
132	1.41.E314.1-A00A00/605.9	Combination profile PP, E, 1 - 4.5, grey (bar 2.5 m)	MM	2
133	1.41.E314.1-A00A00/858	Combination profile PP, E, 1 - 4.5, grey (bar 2.5 m)	MM	2
134	1.41.E314.1-A00A00/75.8	Combination profile PP, E, 1 - 4.5, grey (bar 2.5 m)	MM	4
135	1.41.E314.1-A00A00/305	Combination profile PP, E, 1 - 4.5, grey (bar 2.5 m)	MM	4
136	1.41.E314.1-A00A00/310	Combination profile PP, E, 1 - 4.5, grey (bar 2.5 m)	MM	5
137	1.41.F14.1-A00A00/158	Combination profile PP, F, 1-4.5, grey (bar 2.5 m)	MM	2
138	1.41.F14.1-A00A00/472	Combination profile PP, F, 1-4.5, grey (bar 2.5 m)	MM	4
139	1.41.E314.1-A00A00/671	Combination profile PP, E, 1 - 4.5, grey (bar 2.5 m)	MM	8
140	1.41.F14.1-A00A00/605.9	Combination profile PP, F, 1-4.5, grey (bar 2.5 m)	MM	2
141	1.41.F14.1-A00A00/833	Combination profile PP, F, 1-4.5, grey (bar 2.5 m)	MM	12
142	1.41.E314.1-A00A00/308	Combination profile PP, E, 1 - 4.5, grey (bar 2.5 m)	MM	4
177	1.32.4E2M4.25	T-Nut for subsequent insertion, w. spring E, 2xM4	EA	5
178	1.32.4EM5	T-Nut for subsequent insertion, w. spring E, M5	EA	4
179	1.32.4EM6	T-Nut for subsequent insertion, w. spring E, M6	EA	29
180	1.35.1140815	Threaded insert M14/M8, L15	EA	3
181	1.35.1140830	Threaded insert M14/M8, L30	EA	2
182	1.35.1141015	Threaded insert M14/M10, L15	EA	2
183	1.35.608395	Press-fit threaded insert dia: 12/M8, L42.5	EA	2
184	1.41.8E40-A00A00/1586	Rubber cover-profile E3, black, L=1586MM	MM	1
185	1.42.20303.2	Cover cap 30x30, black	EA	28



## Bill of materials (Number of kits: 1)

Pos	Article-No	Description	Units	Qty
186	1.42.20404.2	Cover cap 40x40, dia: 12, black	EA	17
187	1.42.20408.2	Cover cap 40x80, black	EA	5
188	1.42.20808.2	Cover cap 80x80, black	EA	2
189	1.46.204.4039.2	Angle GD-Zn, 40x39, powder-coated	EA	3
190	1.63.51040040	Joint Zn 40x40	EA	2
191	1.63.52040040	Joint Zn 40x40 with clamping lever	EA	2
192	1.65.6020	Latch lock with lock, all keyed alike	EA	6
193	1.67.42E3M8	Slot roller E3, M8	EA	12
194	0.63.D00912.08016	Cylindric head screw, DIN 912 - M8x16	EA	1
195	0.63.D06912.06020	Cylindric head screw, DIN 6912 - M6x20	EA	2
196	0.63.D06912.06030	Cylindric head screw, DIN 6912 - M6x30	EA	10
197	0.63.D06912.06035	Cylindric head screw, DIN 6912 - M6x35	EA	12
198	0.63.D06912.08014	Cylindric head screw, DIN 6912 - M8x14	EA	2
199	0.63.D06912.08016	Cylindric head screw, DIN 6912 - M8x16	EA	4
200	0.63.D07991.04008	Flat head screw, DIN 7991 - M4x8	EA	7
201	0.63.D07991.04012	Flat head screw, DIN 7991 - M4x12	EA	32
202	0.63.D07991.06010	Flat head screw, DIN 7991 - M6x10	EA	20
203	0.63.D07991.06012	Flat head screw, DIN 7991 - M6x12	EA	4
204	0.63.D07991.06014	Flat head screw, DIN 7991 - M6x14	EA	24
205	0.63.D07991.06014	Flat head screw, DIN 7991 - M6x14	EA	87
206	0.63.WN7381.08016	Round head flange screw, M8x16, WN7381	EA	3
207	1.21.3E5	Connector, parallel-square	EA	4
208	1.21.3F0	Connector, universal	EA	30
209	1.21.4E0	Connector, universal	EA	176
210	1.21.4E5	Connector, parallel-square	EA	28
211	1.21.4F0	Connector, universal	EA	10
212	1.21.4F5	Connector, parallel-square	EA	8
213	0.62.I07092.06.4	Flat washer (DIN 433) 6.4mm	EA	24
214	1.31.EM4	Threaded plate E, M4	EA	32
215	1.31.EM6	Threaded plate E, M6	EA	87
216	1.31.FM4	Threaded plate F, M4	EA	7
217	1.32.3EM8	T-Nut for subsequent insertion, w. spring-ball E, M8	EA	12
218	1.32.4EM6	T-Nut for subsequent insertion, w. spring E, M6	EA	24
219	1.32.4EM8	T-Nut for subsequent insertion, w. spring E, M8	EA	9
220	1.32.4FM6	T-Nut for subsequent insertion, w. spring F, M6	EA	24
221	1.35.1140815	Threaded insert M14/M8, L15	EA	1
222	1.46.204.4039A	Cover cap for angle GD-Zn, 40x39	EA	3
223	1.62.448.17/22	Hinge 48 fixed, A 17.5 A1 22.5	EA	12
		<b>Frame weight:</b>	163.06 kg (359.49 lbs)	
143	2.83.0236.01-99	PVC expanded foam 6mm, Black. <b>**NOTE: Non-stock, purchased as needed, SIZE: 180.00MM x 1490.02MM **PER DRAWING 21**</b>	SM	1



## Bill of materials (Number of kits: 1)

Pos	Article-No	Description	Units	Qty
144	2.83.0236.01-99	PVC expanded foam 6mm, Black. **NOTE: Non-stock, purchased as needed, SIZE: 538.98MM x 830.00MM **PER DRAWING 22**	SM	1
145	2.83.0236.01-99	PVC expanded foam 6mm, Black. **NOTE: Non-stock, purchased as needed, SIZE: 720.01MM x 2030.00MM **PER DRAWING 23**	SM	1
146	2.83.0236.01-99	PVC expanded foam 6mm, Black. **NOTE: Non-stock, purchased as needed, SIZE: 850.01MM x 2030.00MM **PER DRAWING 24**	SM	1
147	2.84.0177.00-99	ABS Haircell textured 4.5mm, SIZE: 120.00MM x 160.00MM **PER DRAWING 25**	SM	1
148	2.84.0177.00-99	ABS Haircell textured 4.5mm, SIZE: 90.81MM x 627.90MM **PER DRAWING 26**	SM	1
149	2.84.0177.00-99	ABS Haircell textured 4.5mm, SIZE: 90.81MM x 627.90MM **PER DRAWING 27**	SM	1
150	2.84.0177.00-99	ABS Haircell textured 4.5mm, SIZE: 92.00MM x 880.00MM **PER DRAWING 28**	SM	1
151	2.84.0177.00-99	ABS Haircell textured 4.5mm, SIZE: 236.00MM x 397.00MM **PER DRAWING 29**	SM	1
152	2.84.0177.00-99	ABS Haircell textured 4.5mm, SIZE: 337.00MM x 534.00MM **PER DRAWING 30**	SM	1
153	2.84.0177.00-99	ABS Haircell textured 4.5mm, SIZE: 110.00MM x 180.00MM **PER DRAWING 31**	SM	2
154	2.84.0177.00-99	ABS Haircell textured 4.5mm, SIZE: 315.00MM x 494.00MM **PER DRAWING 32**	SM	2
155	2.84.0177.00-99	ABS Haircell textured 4.5mm, SIZE: 330.00MM x 693.00MM **PER DRAWING 33**	SM	2
156	2.87.1571-99	Polycarbonat 4mm, SIZE: 92.00MM x 410.00MM **PER DRAWING 34**	SM	1
157	2.87.1571-99	Polycarbonat 4mm, SIZE: 210.00MM x 462.00MM **PER DRAWING 35**	SM	1
158	2.87.1571-99	Polycarbonat 4mm, SIZE: 130.00MM x 810.00MM **PER DRAWING 36**	SM	1
159	2.87.1571-99	Polycarbonat 4mm, SIZE: 130.00MM x 1130.00MM **PER DRAWING 37**	SM	1
160	2.87.1571-99	Polycarbonat 4mm, SIZE: 410.00MM x 430.00MM **PER DRAWING 38**	SM	1
161	2.87.1571-99	Polycarbonat 4mm, SIZE: 410.00MM x 430.01MM **PER DRAWING 39**	SM	1
162	2.87.1571-99	Polycarbonat 4mm, SIZE: 410.00MM x 440.01MM **PER DRAWING 40**	SM	1
163	2.87.1571-99	Polycarbonat 4mm, SIZE: 259.99MM x 925.00MM **PER DRAWING 41**	SM	1
164	2.87.1571-99	Polycarbonat 4mm, SIZE: 180.00MM x 1490.02MM **PER DRAWING 42**	SM	1
165	2.87.1571-99	Polycarbonat 4mm, SIZE: 413.00MM x 733.00MM **PER DRAWING 43**	SM	1
166	2.87.1571-99	Polycarbonat 4mm, SIZE: 433.00MM x 733.00MM **PER DRAWING 44**	SM	1

## Bill of materials (Number of kits: 1)

Pos	Article-No	Description	Units	Qty
167	2.87.1571-99	Polycarbonat 4mm, SIZE: 450.00MM x 792.97MM **PER DRAWING 45**	SM	1
168	2.87.1571-99	Polycarbonat 4mm, SIZE: 370.00MM x 985.00MM **PER DRAWING 46**	SM	1
169	2.87.1571-99	Polycarbonat 4mm, SIZE: 519.98MM x 770.00MM **PER DRAWING 47**	SM	1
170	2.87.1571-99	Polycarbonat 4mm, SIZE: 519.98MM x 925.00MM **PER DRAWING 48**	SM	1
171	2.87.1571-99	Polycarbonat 4mm, SIZE: 710.01MM x 845.00MM **PER DRAWING 49**	SM	1
172	2.87.1571-99	Polycarbonat 4mm, SIZE: 710.01MM x 845.00MM **PER DRAWING 50**	SM	1
173	2.87.1571-99	Polycarbonat 4mm, SIZE: 92.00MM x 275.00MM **PER DRAWING 51**	SM	2
174	2.87.1571-99	Polycarbonat 4mm, SIZE: 180.00MM x 925.00MM **PER DRAWING 52**	SM	2
175	2.87.1571-99	Polycarbonat 4mm, SIZE: 559.99MM x 845.00MM **PER DRAWING 53**	SM	2
176	2.87.1571-99	Polycarbonat 4mm, SIZE: 650.00MM x 845.00MM **PER DRAWING 54**	SM	2

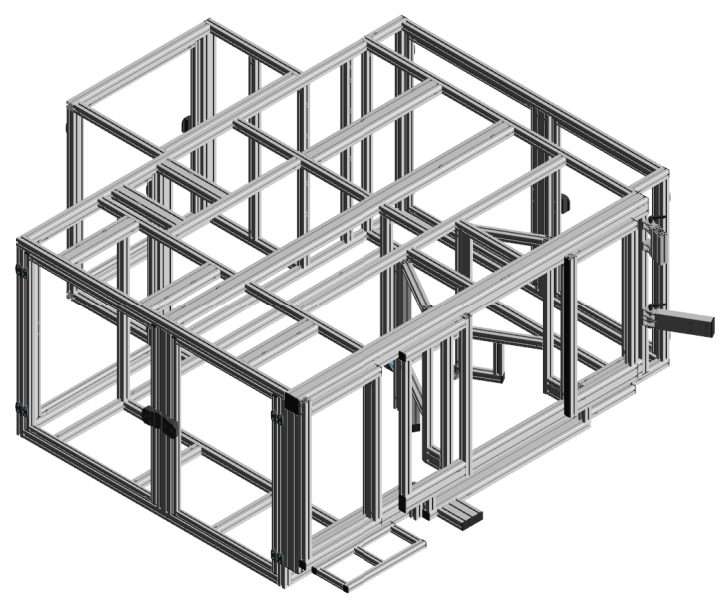
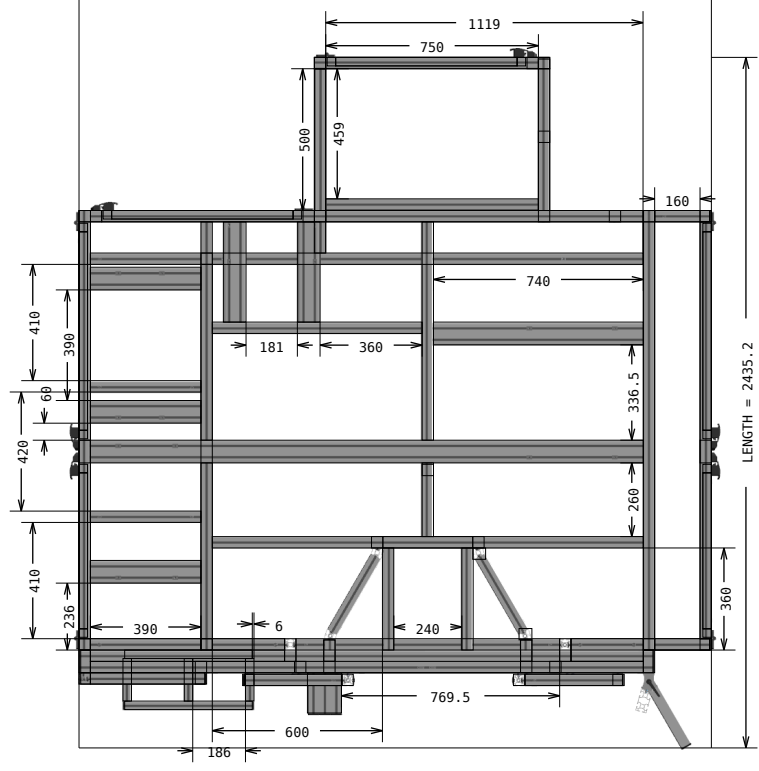
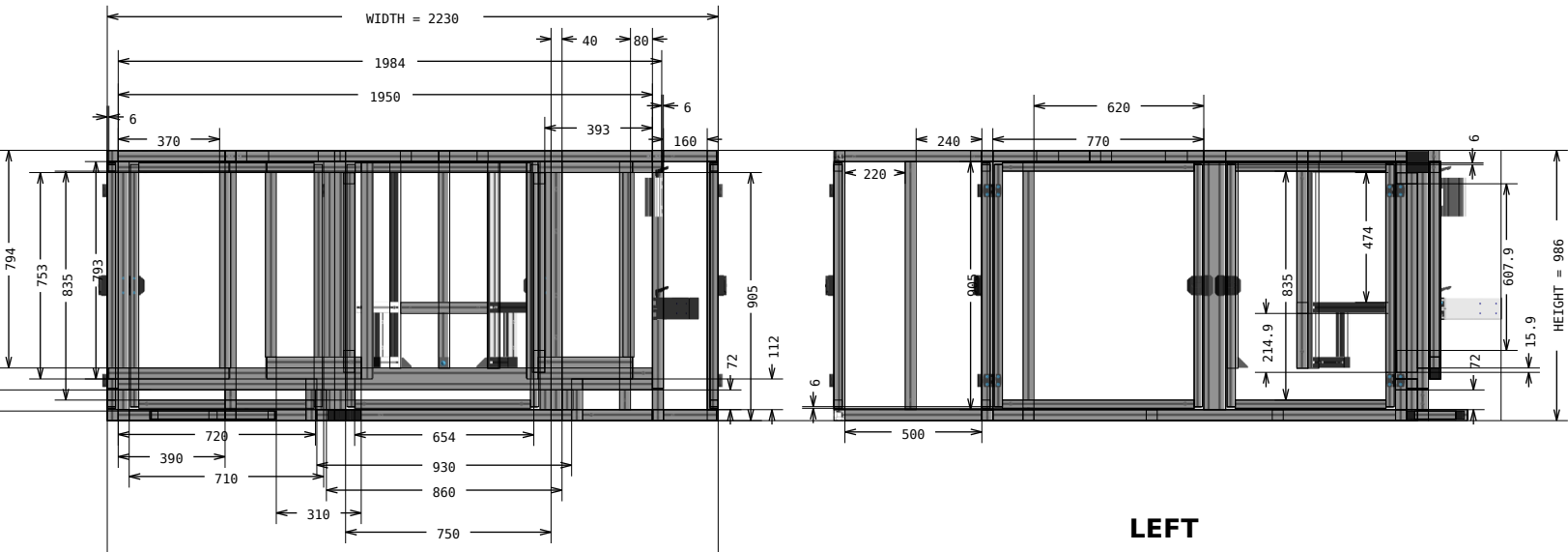
**Panels weight:** 52.88 kg (116.58 lbs)

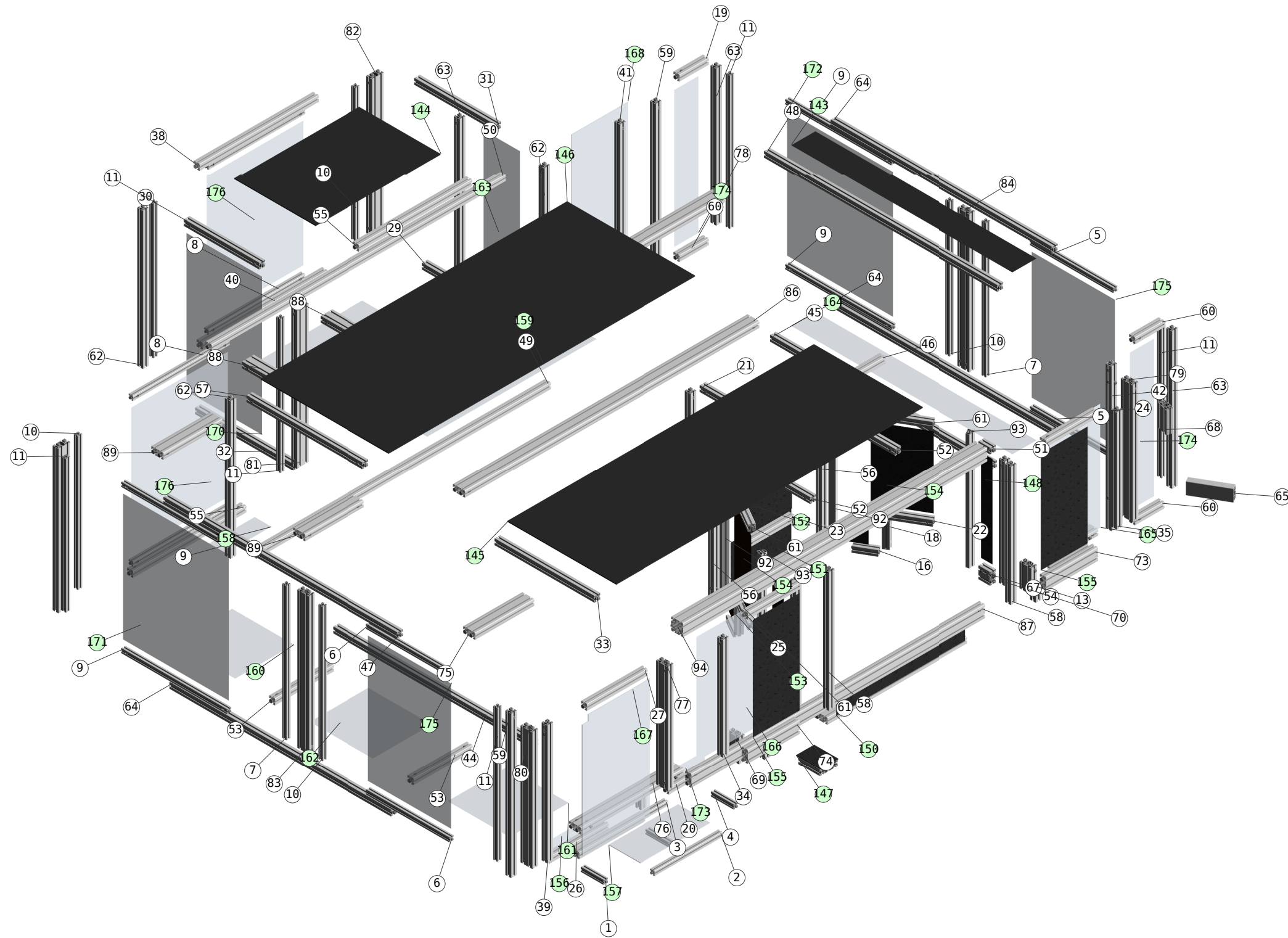
---

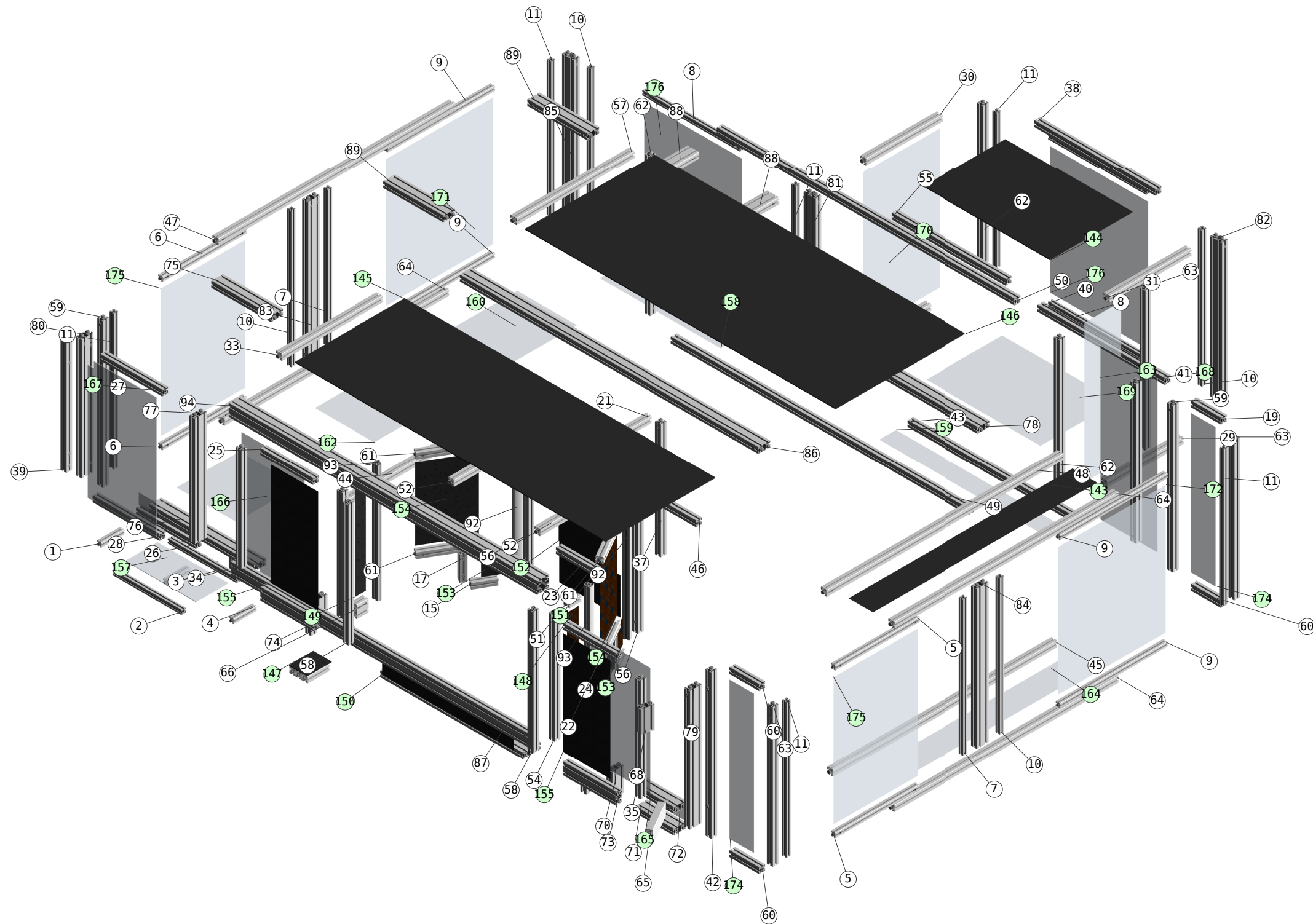
**Total Weight:** 215.94 kg (476.07 lbs)

Design Notes (Comment): MAIN TESTER GUARDING ASSEMBLY

# Multiview

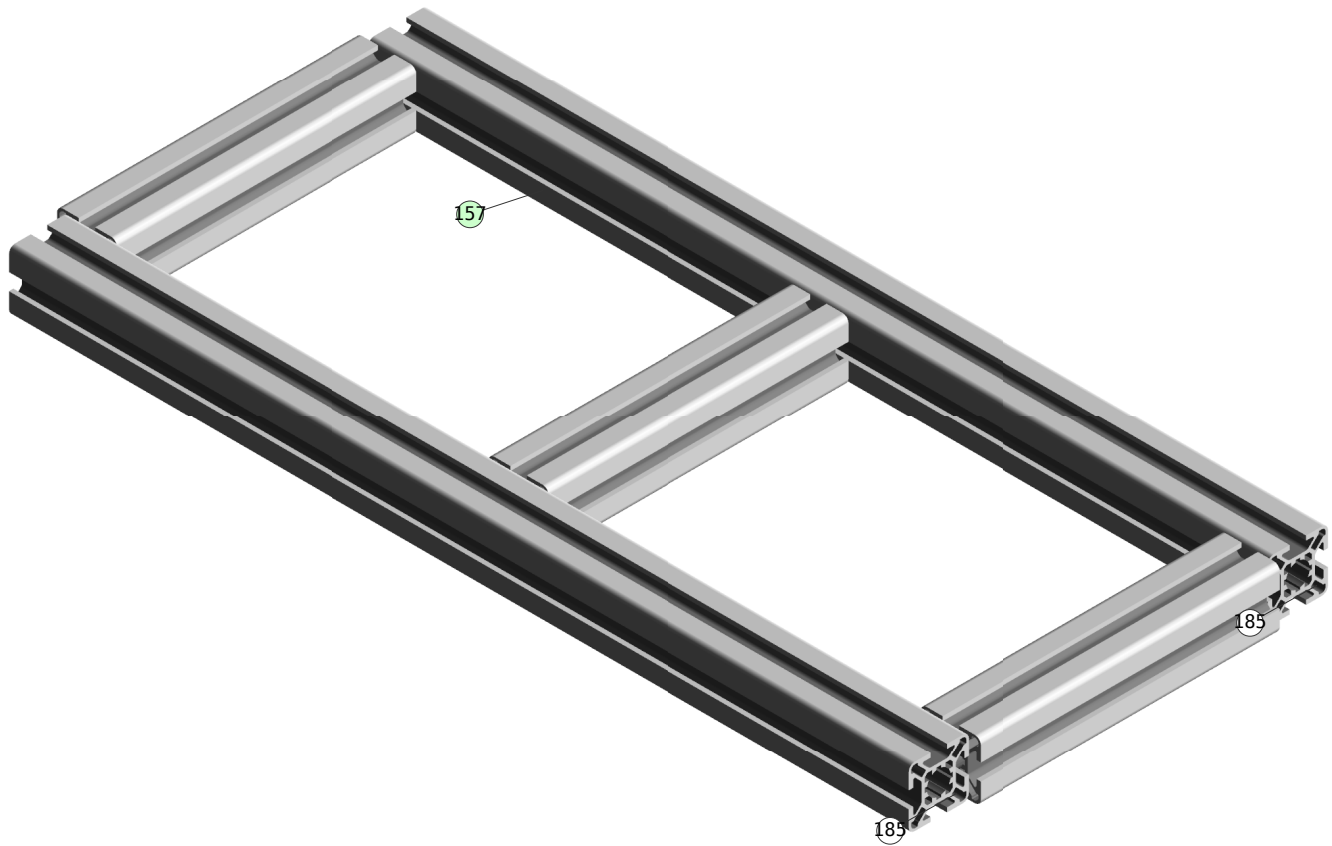






## Components of group: table1

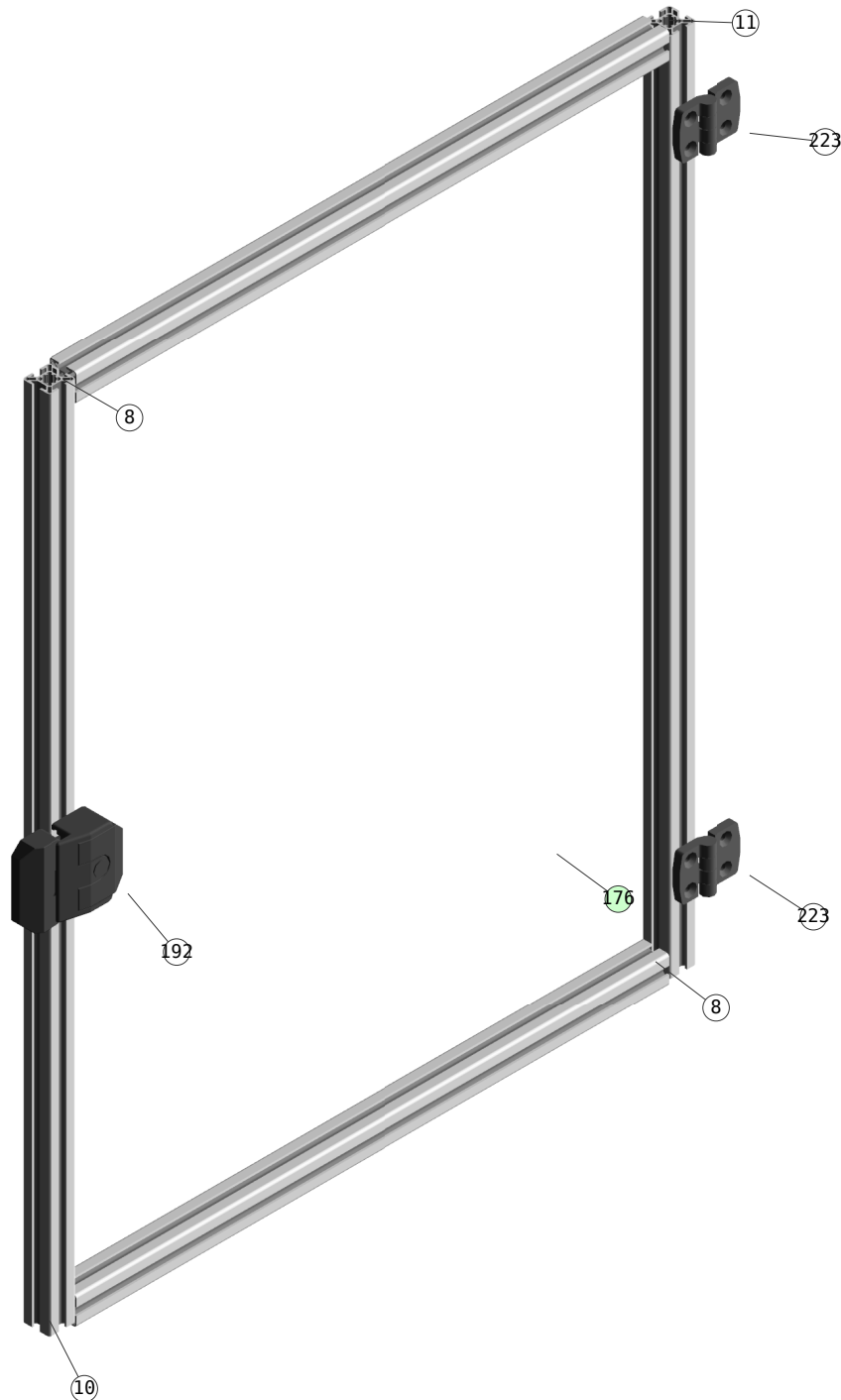
Panels are not shown for image clarity, their locations are marked by green balloons





## Components of group: Door

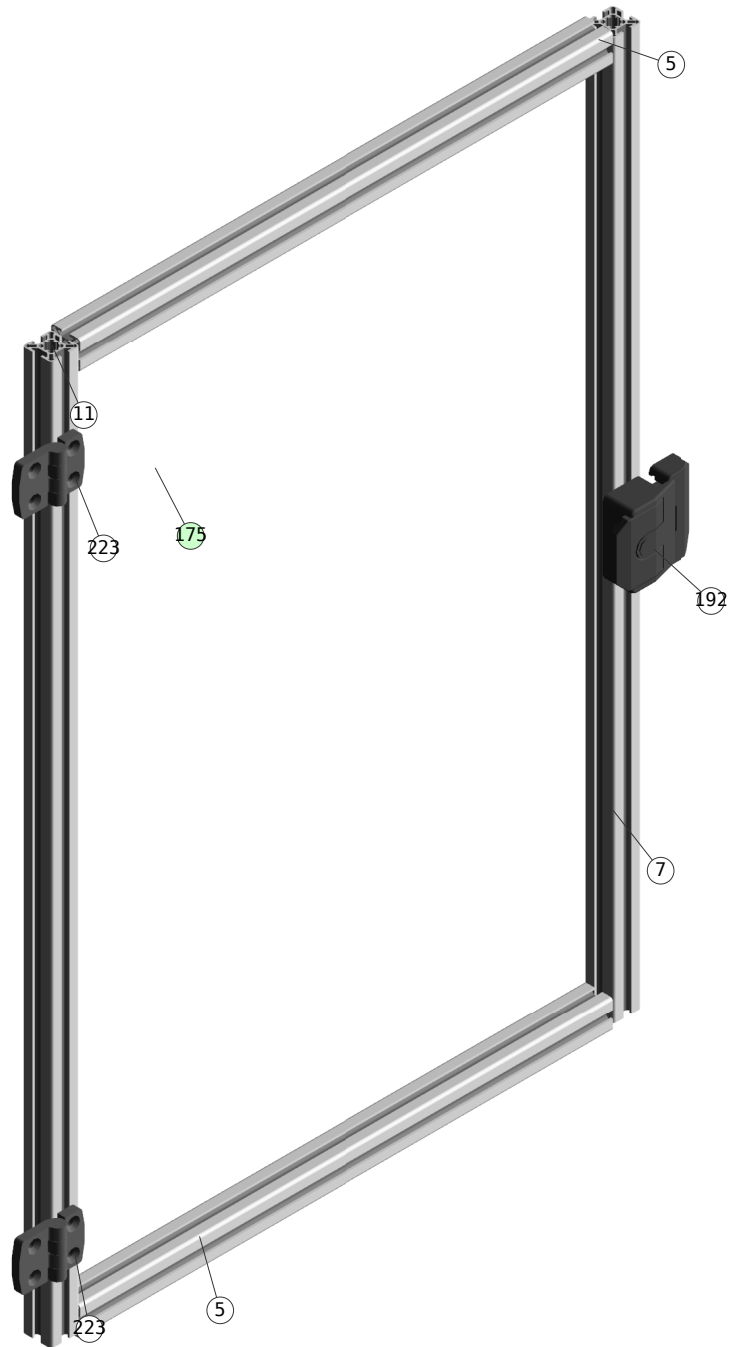
Panels are not shown for image clarity, their locations are marked by green balloons





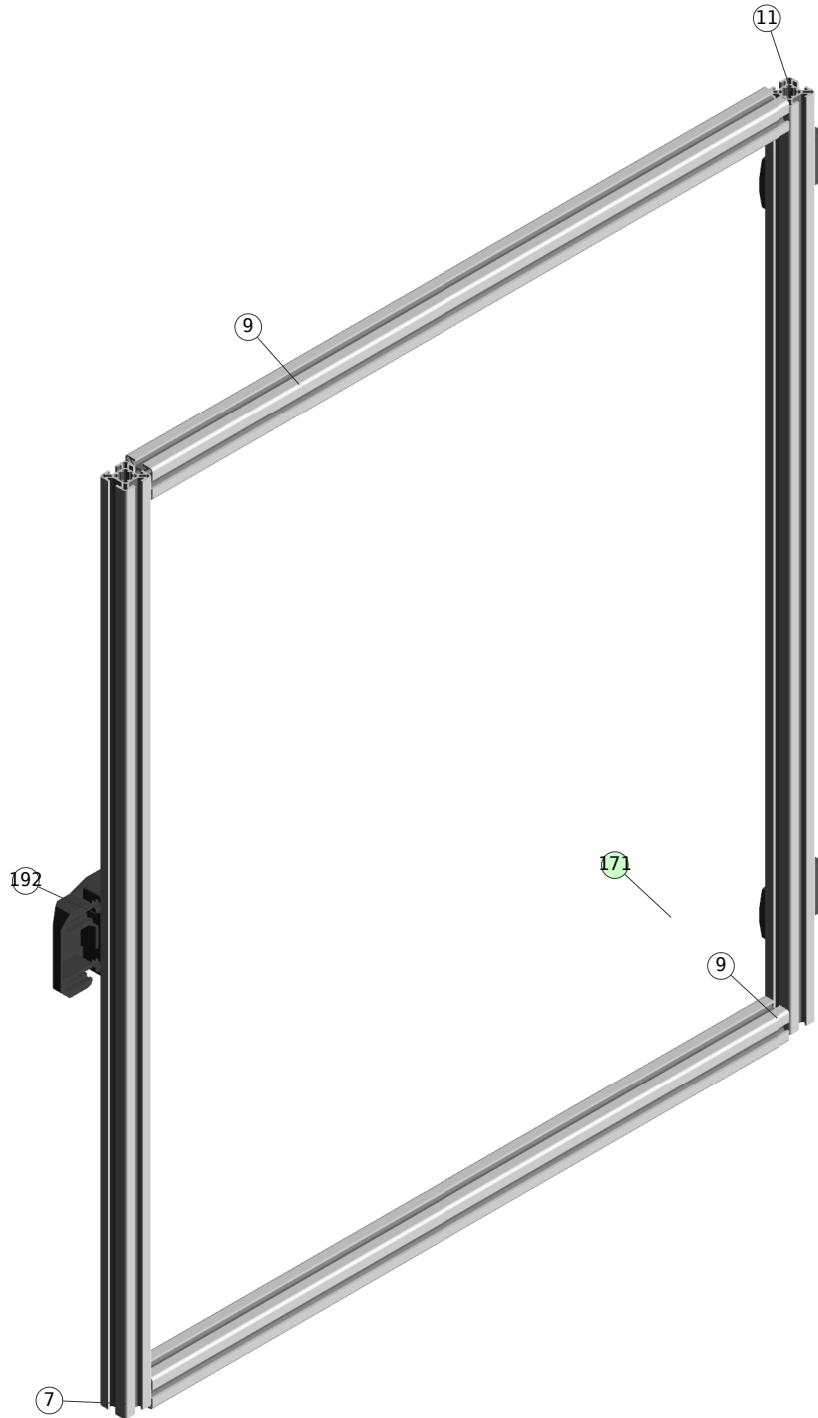
## Components of group: Door(5)

Panels are not shown for image clarity, their locations are marked by green balloons



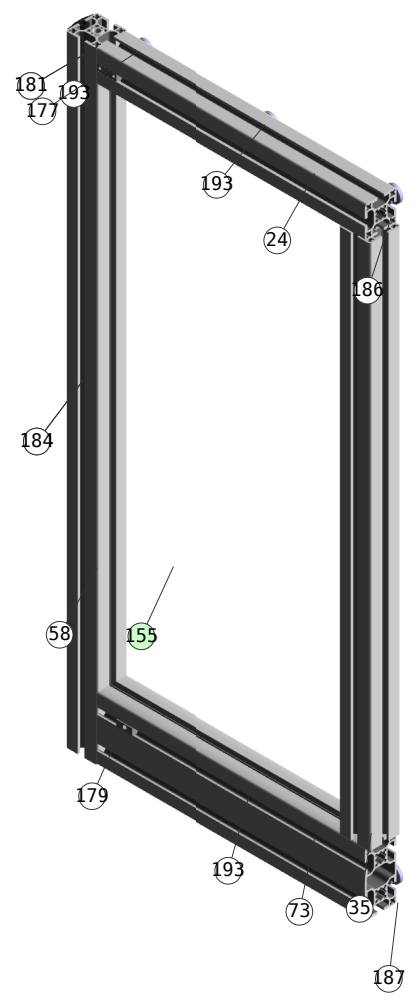
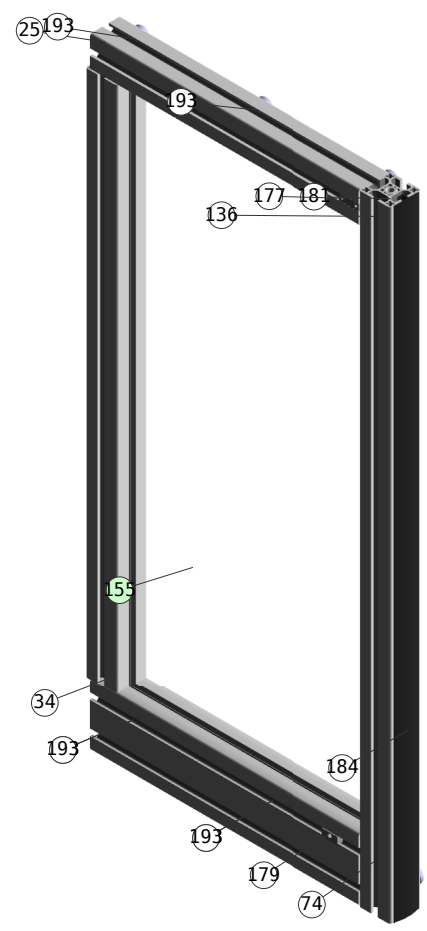
## Components of group: Door(4)

Panels are not shown for image clarity, their locations are marked by green balloons



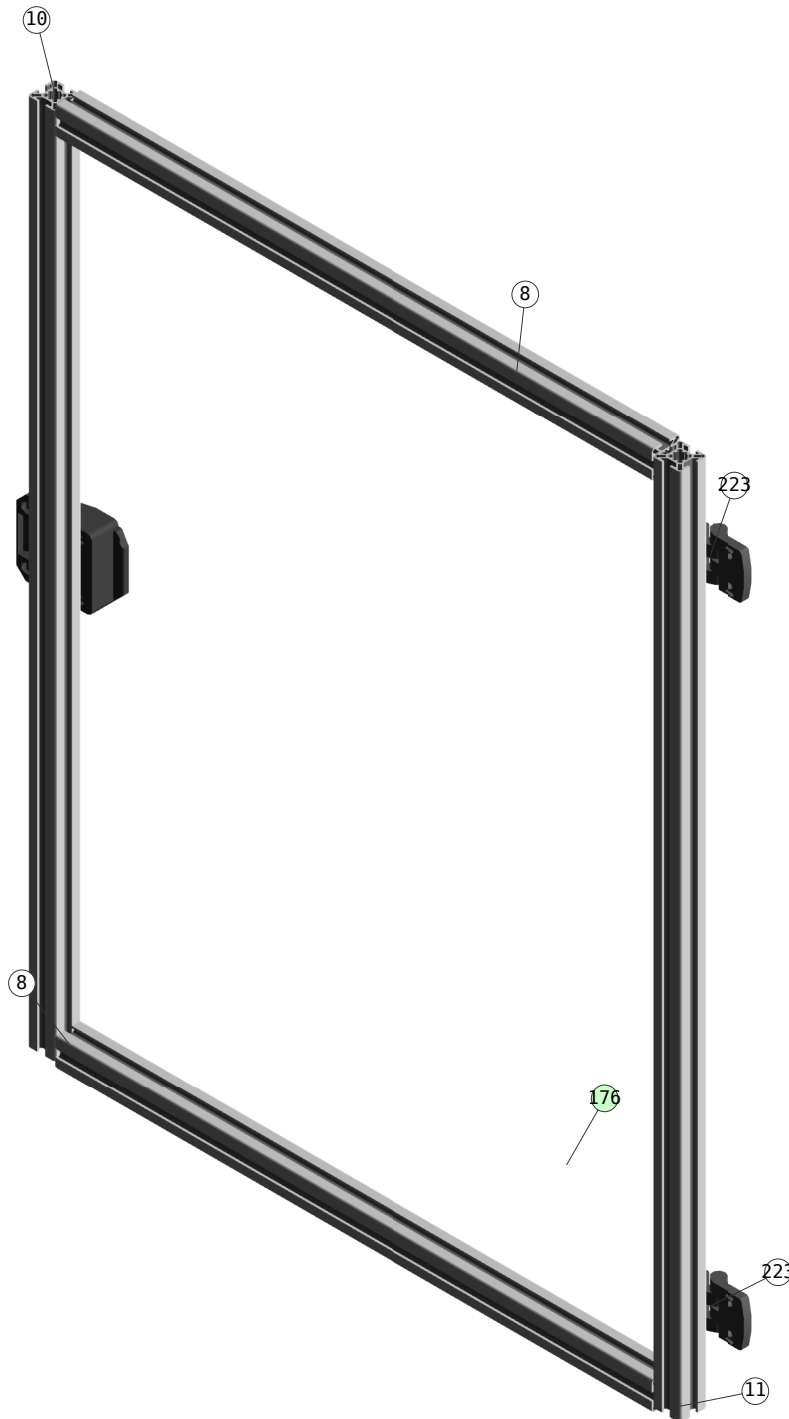
# Components of group: DOORR

Panels are not shown for image clarity, their locations are marked by green balloons



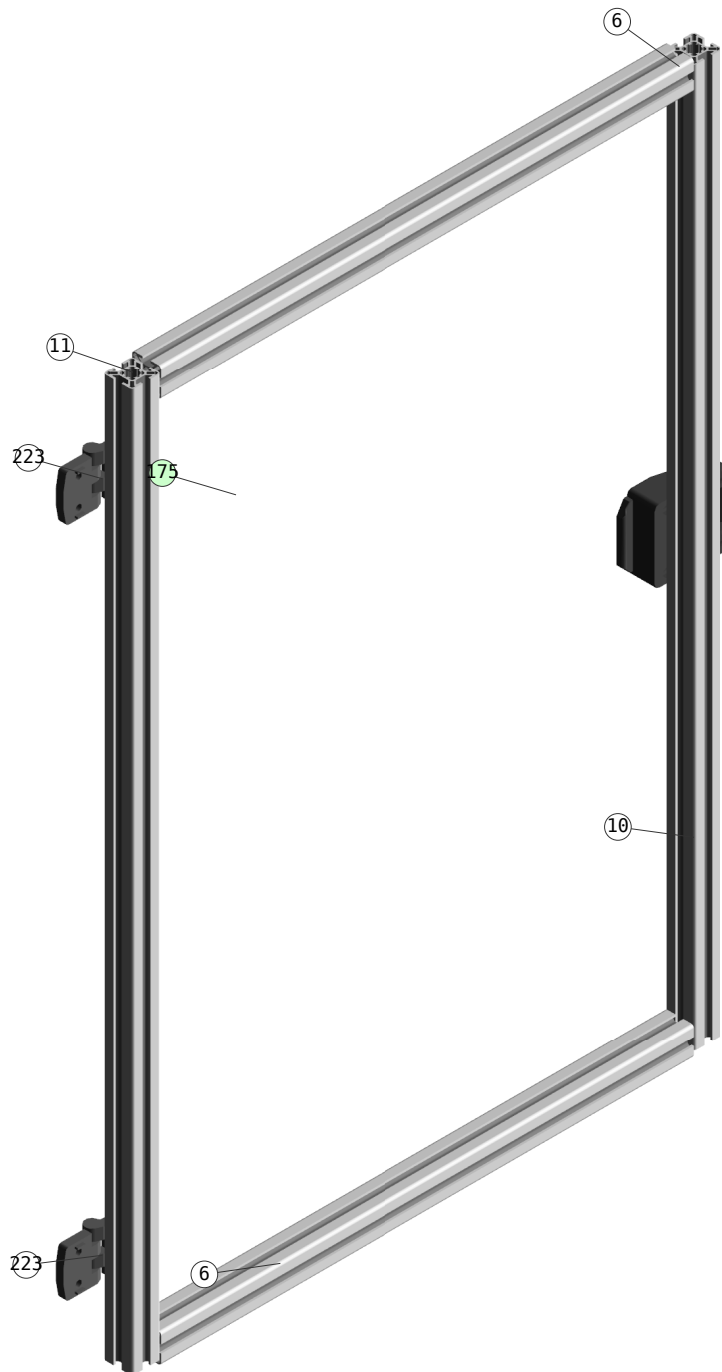
## Components of group: Door(3)

Panels are not shown for image clarity, their locations are marked by green balloons



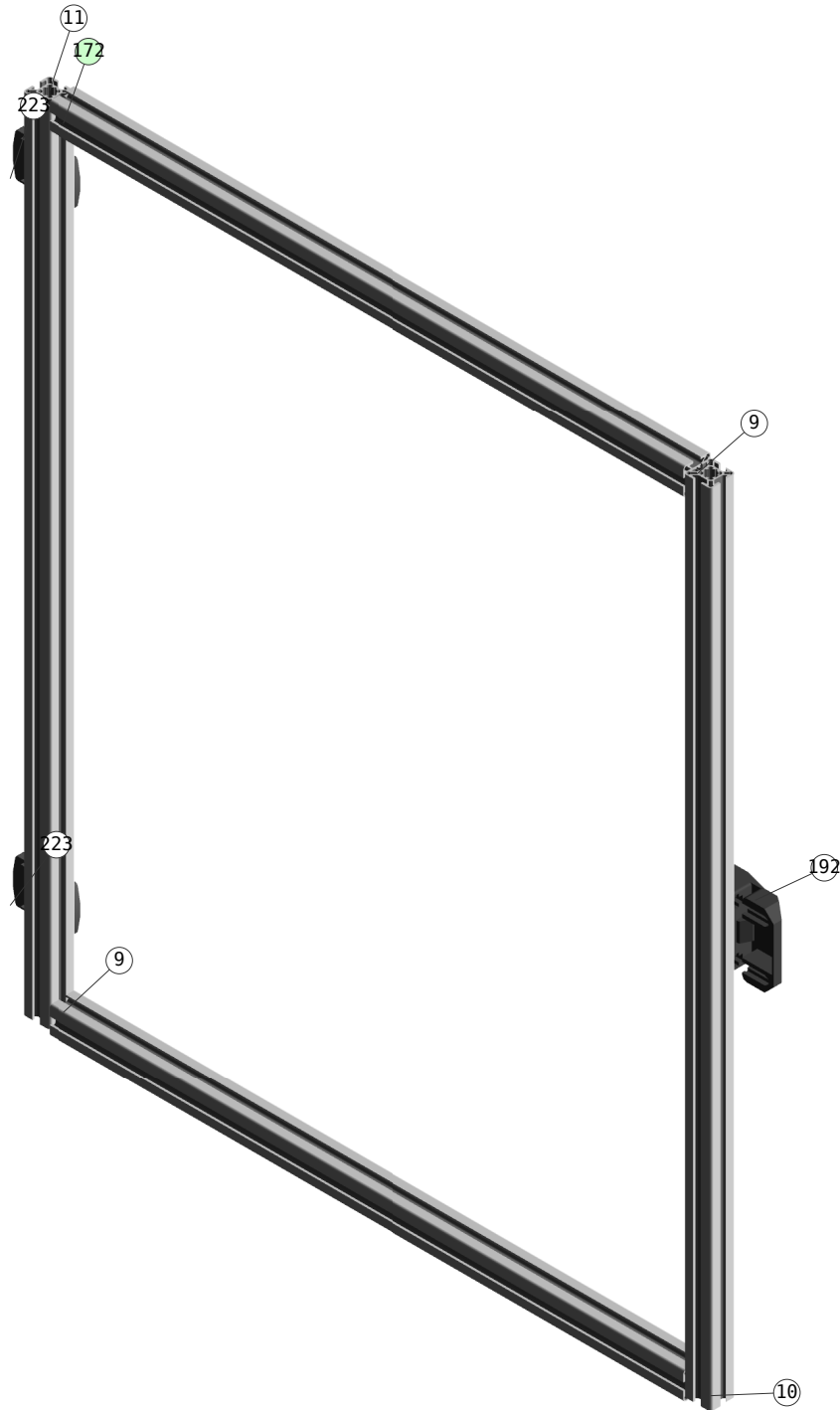
## Components of group: Door(2)

Panels are not shown for image clarity, their locations are marked by green balloons



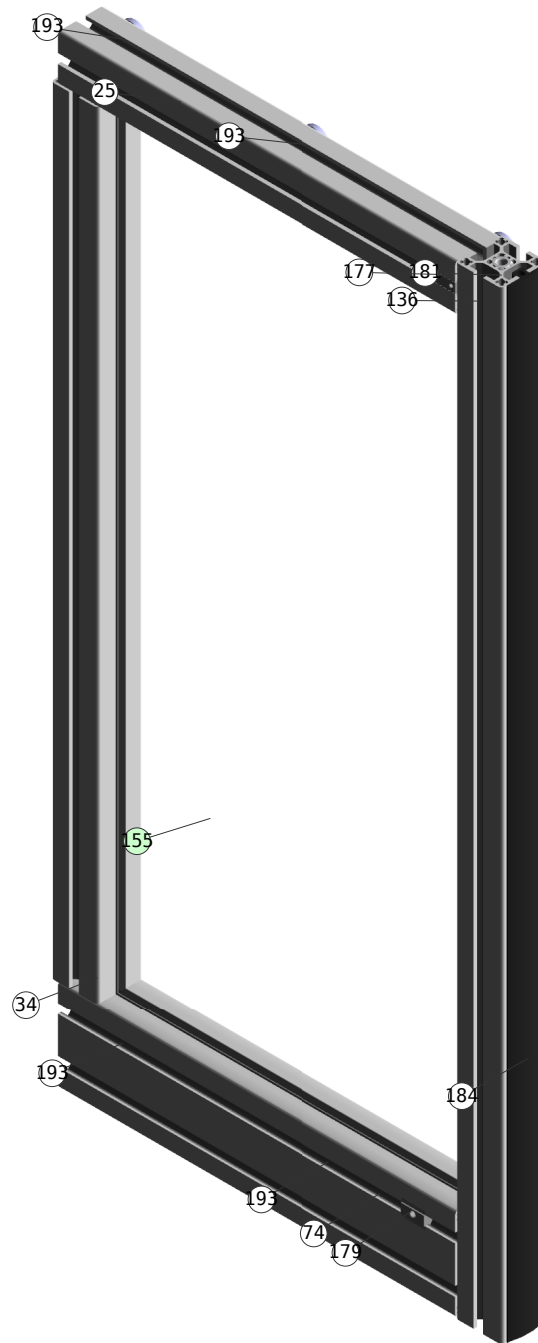
## Components of group: Door(1)

Panels are not shown for image clarity, their locations are marked by green balloons



# Components of group: DOORL

Panels are not shown for image clarity, their locations are marked by green balloons





# Assembly List

Pos	Article-No	Description	Related parts	Qty
1	1.11.030030.43LP-AA3AA3/150	Profile 30x30, 4F, light, plain	1.21.3F0, Connector, universal	2
3	1.11.030030.43LP-A00A00/450	Profile 30x30, 4F, light, plain	1.21.3E5, Connector, parallel-square	4
4	1.11.030030.43LP-AA1AA1/150	Profile 30x30, 4F, light, plain	1.21.3F0, Connector, universal	4
5	1.11.030030.43LP-AA4AA4/550	Profile 30x30, 4F, light, plain	1.21.3F0, Connector, universal	4
6	1.11.030030.43LP-AA4AA4/550	Profile 30x30, 4F, light, plain	1.21.3F0, Connector, universal	4
8	1.11.030030.43LP-AA4AA4/640	Profile 30x30, 4F, light, plain	1.21.3F0, Connector, universal	8
9	1.11.030030.43LP-AA4AA4/700	Profile 30x30, 4F, light, plain	1.21.3F0, Connector, universal	8
12	1.11.040040.43LP-AA4AA4/72	Profile 40x40, 4E, light, plain	1.21.4E5, Connector, parallel-square	2
13	1.11.040040.43LP-AA2AA2/72	Profile 40x40, 4E, light, plain	1.21.4E5, Connector, parallel-square	2
14	1.11.040040.43LP-AL0AA4/112	Profile 40x40, 4E, light, plain	1.21.4E0, Connector, universal	1
15	1.11.040040.43LP-AA1A00/129	Profile 40x40, 4E, light, plain	1.21.4F0, Connector, universal	1
16	1.11.040040.43LP-AA3A00/129	Profile 40x40, 4E, light, plain	1.21.4F0, Connector, universal	1
17	1.11.040040.43LP-AA1AA1/160	Profile 40x40, 4E, light, plain	1.21.4E0, Connector, universal	2
18	1.11.040040.43LP-AA2AA2/160	Profile 40x40, 4E, light, plain	1.21.4E0, Connector, universal	2
19	1.11.040040.43LP-AA1A00/194	Profile 40x40, 4E, light, plain	1.21.4E0, Connector, universal	1
20	1.11.040040.43LP-AA4AA4/255	Profile 40x40, 4E, light, plain	1.21.4E0, Connector, universal	2
21	1.11.040040.43LP-AA1AA4/260	Profile 40x40, 4E, light, plain	1.21.4E0, Connector, universal	2
22	1.11.040040.43LP-AA1AA1/305	Profile 40x40, 4E, light, plain	1.21.4F0, Connector, universal	2
23	1.11.040040.43LP-AA3AA3/317	Profile 40x40, 4E, light, plain	1.21.4E0, Connector, universal	2
24	1.11.040040.43LP-AA1A00/344	Profile 40x40, 4E, light, plain	1.21.4E0, Connector, universal	1
25	1.11.040040.43LP-AA4A00/344	Profile 40x40, 4E, light, plain	1.21.4E0, Connector, universal	1
26	1.11.040040.43LP-AA4AA4/390	Profile 40x40, 4E, light, plain	1.21.4E0, Connector, universal	2
27	1.11.040040.43LP-AA4A00/404	Profile 40x40, 4E, light, plain	1.21.4E0, Connector, universal 1.21.4E5, Connector, parallel-square	1 2
28	1.11.040040.43LP-A00A00/438	Profile 40x40, 4E, light, plain	1.21.4E5, Connector, parallel-square	3
29	1.11.040040.43LP-AA1AA1/500	Profile 40x40, 4E, light, plain	1.21.4E0, Connector, universal	2
30	1.11.040040.43LP-AA4AA4/500	Profile 40x40, 4E, light, plain	1.21.4E0, Connector, universal	2
31	1.11.040040.43LP-A00AA4/534	Profile 40x40, 4E, light, plain	1.21.4E0, Connector, universal	1
32	1.11.040040.43LP-AA1AA1/650	Profile 40x40, 4E, light, plain	1.21.4E0, Connector, universal	2
33	1.11.040040.43LP-AA4AA4/660	Profile 40x40, 4E, light, plain	1.21.4E0, Connector, universal	2
34	1.11.040040.43LP-AA4AA3/673	Profile 40x40, 4E, light, plain	1.21.4E0, Connector, universal	2
35	1.11.040040.43LP-AA3AA3/673	Profile 40x40, 4E, light, plain	1.21.4E0, Connector, universal	2
36	1.11.040040.43LP-AA4AA4/740	Profile 40x40, 4E, light, plain	1.21.4E0, Connector, universal	2

# Assembly List

Pos	Article-No	Description	Related parts	Qty
37	1.11.040040.43LP-AA4A00/754	Profile 40x40, 4E, light, plain	1.21.4E0, Connector, universal	1
38	1.11.040040.43LP-AA2A00/790	Profile 40x40, 4E, light, plain	1.21.4E0, Connector, universal	1
39	1.11.040040.43LP-A00AA1/794	Profile 40x40, 4E, light, plain	1.21.4E0, Connector, universal 1.21.4E5, Connector, parallel-square	1 4
41	1.11.040040.43LP-AA3AA3/905	Profile 40x40, 4E, light, plain	1.21.4E0, Connector, universal	2
42	1.11.040040.43LP-AA3AL0/945	Profile 40x40, 4E, light, plain	1.21.4E0, Connector, universal 1.21.4E5, Connector, parallel-square	1 2
43	1.11.040040.43LP-AA4AA4/1120	Profile 40x40, 4E, light, plain	1.21.4E0, Connector, universal	2
44	1.11.040040.43LP-AA4AA4/1320	Profile 40x40, 4E, light, plain	1.21.4E0, Connector, universal	2
45	1.11.040040.43LP-AA4AA4/1470	Profile 40x40, 4E, light, plain	1.21.4E0, Connector, universal	2
46	1.11.040040.43LP-AA1AA1/1520	Profile 40x40, 4E, light, plain	1.21.4E0, Connector, universal	2
47	1.11.040040.43LP-A00AA4/1550	Profile 40x40, 4E, light, plain	1.21.4E0, Connector, universal	1
48	1.11.040040.43LP-AA4A00/1550	Profile 40x40, 4E, light, plain	1.21.4E0, Connector, universal	1
49	1.11.040040.43LP-AA4A00/1949	Profile 40x40, 4E, light, plain	1.21.4E0, Connector, universal	1
50	1.11.040040.43LP-AA4AA4/1950	Profile 40x40, 4E, light, plain	1.21.4E0, Connector, universal	2
51	1.11.040040.43LP-AA1AA1/75.8	Profile 40x40, 4E, light, plain	1.21.4F5, Connector, parallel-square 1.21.4E5, Connector, parallel-square	2 2
52	1.11.040040.43LP-AA4AA4/360	Profile 40x40, 4E, light, plain	1.21.4E0, Connector, universal	4
53	1.11.040040.43LP-AA1AA1/390	Profile 40x40, 4E, light, plain	1.21.4E0, Connector, universal	4
54	1.11.040040.43LP-AA4AA4/713	Profile 40x40, 4E, light, plain	1.21.4E0, Connector, universal	4
55	1.11.040040.43LP-AA4AA4/750	Profile 40x40, 4E, light, plain	1.21.4E0, Connector, universal	4
56	1.11.040040.43LP-AA1A00/754	Profile 40x40, 4E, light, plain	1.21.4E0, Connector, universal 1.21.4F5, Connector, parallel-square	2 4
57	1.11.040040.43LP-AA4AA4/770	Profile 40x40, 4E, light, plain	1.21.4E0, Connector, universal	4
59	1.11.040040.43LP-A00AA4/945	Profile 40x40, 4E, light, plain	1.21.4E0, Connector, universal	2
60	1.11.040040.43LP-AA4A00/194	Profile 40x40, 4E, light, plain	1.21.4E0, Connector, universal	3
61	1.11.040040.43LP-AA3AA3/305	Profile 40x40, 4E, light, plain	1.21.4F0, Connector, universal	6
62	1.11.040040.43LP-AA4AA4/905	Profile 40x40, 4E, light, plain	1.21.4E0, Connector, universal	6
63	1.11.040040.43LP-AA1AA1/905	Profile 40x40, 4E, light, plain	1.21.4E0, Connector, universal	6
64	1.11.040040.43LP-AA1AA1/1470	Profile 40x40, 4E, light, plain	1.21.4E0, Connector, universal	6
66	1.11.040080.64LP-FA4FA4/75.8	Profile 40x80, 6E, light, plain	1.21.4F5, Connector, parallel-square 1.21.4E5, Connector, parallel-square	1 1
67	1.11.040080.64LP-FA2FA2/75.8	Profile 40x80, 6E, light, plain	1.21.4F5, Connector, parallel-square 1.21.4E5, Connector, parallel-square	1 1
69	1.11.040080.64LP-F00F00/152	Profile 40x80, 6E, light, plain	1.21.4E5, Connector, parallel-square	1
70	1.11.040080.64LP-F00FL0/152	Profile 40x80, 6E, light, plain	1.21.4E5, Connector, parallel-square	1

# Assembly List

Pos	Article-No	Description	Related parts	Qty
71	1.11.040080.64LP-FA1FB1/255	Profile 40x80, 6E, light, plain	1.21.4E0, Connector, universal	3
72	1.11.040080.64LP-FB0FB0/255	Profile 40x80, 6E, light, plain	1.21.4E0, Connector, universal 1.21.4E5, Connector, parallel-square	4 2
73	1.11.040080.64LP-FB4F00/344	Profile 40x80, 6E, light, plain	1.21.4E0, Connector, universal	2
74	1.11.040080.64LP-F00FB4/344	Profile 40x80, 6E, light, plain	1.21.4E0, Connector, universal	2
75	1.11.040080.64LP-FB2FB2/390	Profile 40x80, 6E, light, plain	1.21.4E0, Connector, universal	4
76	1.11.040080.64LP-FB0FB0/685	Profile 40x80, 6E, light, plain	1.21.4E0, Connector, universal 1.21.4E5, Connector, parallel-square	4 2
77	1.11.040080.64LP-FB0FB0/713	Profile 40x80, 6E, light, plain	1.21.4E0, Connector, universal	4
78	1.11.040080.64LP-FB1FB1/740	Profile 40x80, 6E, light, plain	1.21.4E0, Connector, universal	4
79	1.11.040080.64LP-F00FB1/787	Profile 40x80, 6E, light, plain	1.21.4E0, Connector, universal	2
80	1.11.040080.64LP-F00FB4/787	Profile 40x80, 6E, light, plain	1.21.4E0, Connector, universal 1.21.4E5, Connector, parallel-square	2 2
81	1.11.040080.64LP-FB1FB1/905	Profile 40x80, 6E, light, plain	1.21.4E0, Connector, universal	4
82	1.11.040080.64LP-FB1FB1/905	Profile 40x80, 6E, light, plain	1.21.4E0, Connector, universal	4
83	1.11.040080.64LP-FB2FB1/905	Profile 40x80, 6E, light, plain	1.21.4E0, Connector, universal	4
84	1.11.040080.64LP-FB4FB4/905	Profile 40x80, 6E, light, plain	1.21.4E0, Connector, universal	4
85	1.11.040080.64LP-FB0F00/945	Profile 40x80, 6E, light, plain	1.21.4E0, Connector, universal	2
86	1.11.040080.64LP-FB1FB1/1950	Profile 40x80, 6E, light, plain	1.21.4E0, Connector, universal	4
87	1.11.040080.64LP-FB0FB0/1950	Profile 40x80, 6E, light, plain	1.21.4E0, Connector, universal	4
88	1.11.040080.64LP-FB1FB1/353.5	Profile 40x80, 6E, light, plain	1.21.4E0, Connector, universal	8
89	1.11.040080.64LP-FB1FB1/390	Profile 40x80, 6E, light, plain	1.21.4E0, Connector, universal	8
90	1.11.040120.84LP-F00FC4/142	Profile 40x120, 8E, LP	1.21.4E0, Connector, universal	3
91	1.11.040120.84LP-FB4FB4/930	Profile 40x120, 8E, LP	1.21.4E0, Connector, universal	4
94	1.11.080080.83LP-L00L00/2018	Profile 80x80, 8E, light, plain	1.21.4E5, Connector, parallel-square	1
144	2.83.0236.01-99	PVC expanded foam 6mm, Black. <b>**NOTE:</b> Non-stock, purchased as needed	0.63.D07991.06014, Flat head screw, DIN 7991 - M6x14 1.31.EM6, Threaded plate E, M6	11 11
145	2.83.0236.01-99	PVC expanded foam 6mm, Black. <b>**NOTE:</b> Non-stock, purchased as needed	0.63.D07991.06014, Flat head screw, DIN 7991 - M6x14 1.31.EM6, Threaded plate E, M6	29 29
146	2.83.0236.01-99	PVC expanded foam 6mm, Black. <b>**NOTE:</b> Non-stock, purchased as needed	0.63.D07991.06014, Flat head screw, DIN 7991 - M6x14 1.31.EM6, Threaded plate E, M6	47 47

# Assembly List

Pos	Article-No	Description	Related parts	Qty
147	2.84.0177.00-99	ABS Haircell textured 4.5mm	0.63.D07991.04012, Flat head screw, DIN 7991 - M4x12 1.31.EM4, Threaded plate E, M4	6 6
151	2.84.0177.00-99	ABS Haircell textured 4.5mm	0.63.D07991.04012, Flat head screw, DIN 7991 - M4x12 1.31.EM4, Threaded plate E, M4	6 6
157	2.87.1571-99	Polycarbonat 4mm	0.63.D07991.04008, Flat head screw, DIN 7991 - M4x8 1.31.FM4, Threaded plate F, M4	7 7
167	2.87.1571-99	Polycarbonat 4mm	0.63.D07991.04012, Flat head screw, DIN 7991 - M4x12 1.31.EM4, Threaded plate E, M4	10 10
168	2.87.1571-99	Polycarbonat 4mm	0.63.D07991.04012, Flat head screw, DIN 7991 - M4x12 1.31.EM4, Threaded plate E, M4	10 10
189	1.46.204.4039.2	Angle GD-Zn, 40x39, powder-coated	0.63.WN7381.08016, Round head flange screw, M8x16, WN7381 1.32.4EM8, T-Nut for subsequent insertion, w. spring E, M8 1.46.204.4039A, Cover cap for angle GD-Zn, 40x39	3 3 3
190	1.63.51040040	Joint Zn 40x40	1.32.4EM8, T-Nut for subsequent insertion, w. spring E, M8 0.63.D06912.08014, Cylindric head screw, DIN 6912 - M8x14 0.63.D06912.08016, Cylindric head screw, DIN 6912 - M8x16	3 1 2
191	1.63.52040040	Joint Zn 40x40 with clamping lever	1.32.4EM8, T-Nut for subsequent insertion, w. spring E, M8 0.63.D00912.08016, Cylindric head screw, DIN 912 - M8x16 1.35.1140815, Threaded insert M14/M8, L15 0.63.D06912.08016, Cylindric head screw, DIN 6912 - M8x16 0.63.D06912.08014, Cylindric head screw, DIN 6912 - M8x14	3 1 1 2 1
192	1.65.6020	Latch lock with lock, all keyed alike	0.63.D06912.06035, Cylindric head screw, DIN 6912 - M6x35 0.62.I07092.06.4, Flat washer (DIN 433) 6.4mm 0.63.D06912.06030, Cylindric head screw, DIN 6912 - M6x30 0.63.D06912.06020, Cylindric head screw, DIN 6912 - M6x20	12 24 10 2
193	1.67.42E3M8	Slot roller E3, M8	1.32.3EM8, T-Nut for subsequent insertion, w. spring-ball E, M8	12

# Assembly List

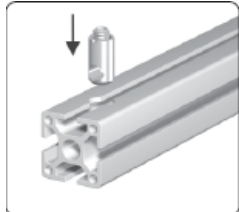
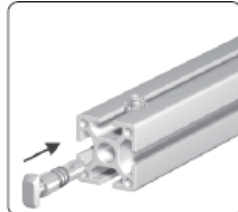
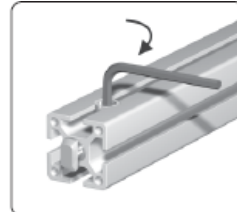
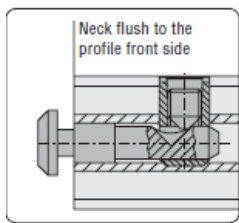
Pos	Article-No	Description	Related parts	Qty
223	1.62.448.17/22	Hinge 48 fixed, A 17.5 A1 22.5	1.32.4FM6, T-Nut for subsequent insertion, w. spring F, M6 0.63.D07991.06014, Flat head screw, DIN 7991 - M6x14 1.32.4EM6, T-Nut for subsequent insertion, w. spring E, M6 0.63.D07991.06010, Flat head screw, DIN 7991 - M6x10 0.63.D07991.06012, Flat head screw, DIN 7991 - M6x12	24 24 24 20 4

## Sliced profile details

## Assembly hints

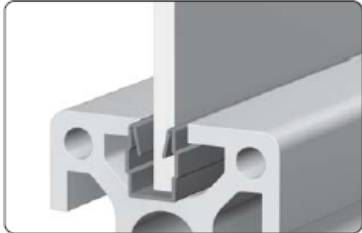
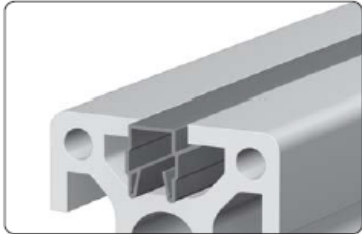

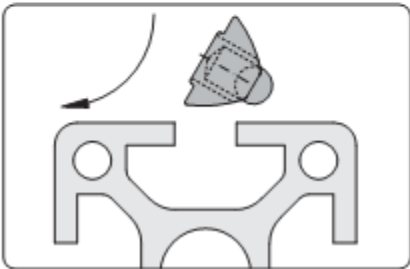
None	1.21.3E5	Connector, parallel-square
	1.21.3F0	Connector, universal
	1.21.4E0	Connector, universal
	1.21.4E5	Connector, parallel-square
	1.21.4F0	Connector, universal
	1.21.4F5	Connector, parallel-square

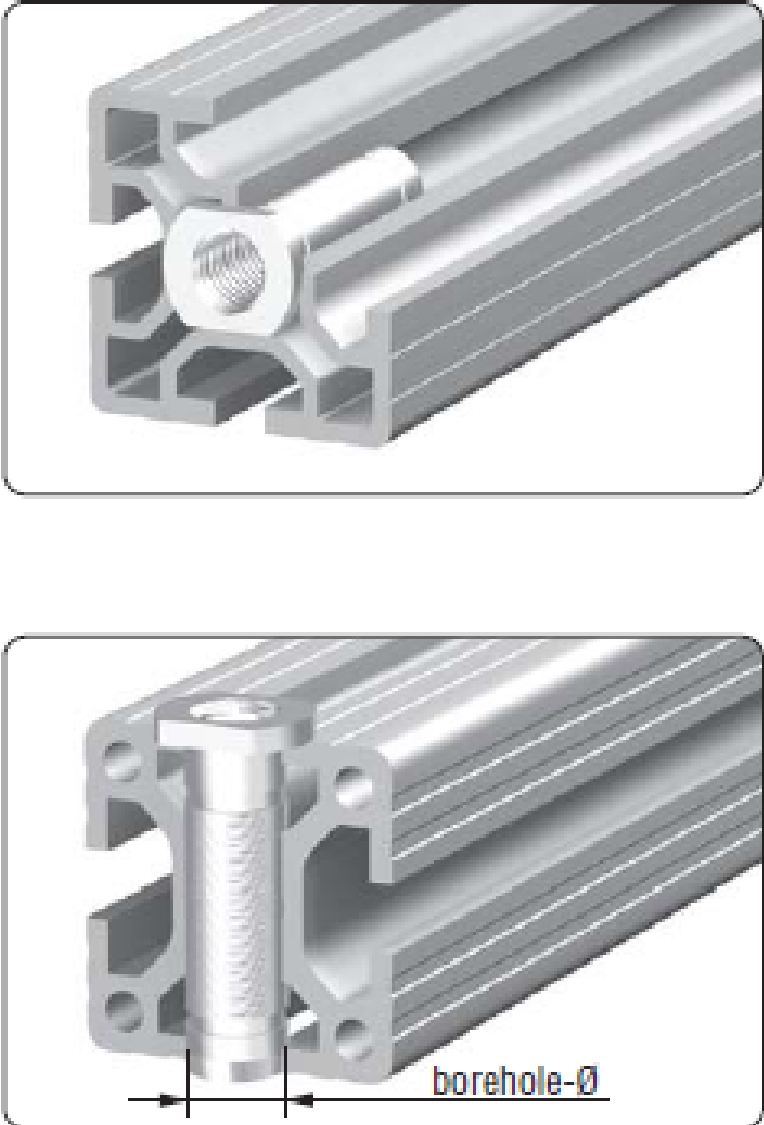
 <p>Insert the cross bushing</p>	 <p>Push in the anchor</p>	 <p>Pretension the anchor</p>	<p>Most MayTec connectors follow these assembly steps. Tightening torque is: 5-15 Nm for 20mm profiles, 30 Nm for 30mm group, 35 Nm for 40mm and larger profiles.</p>
 <p>Neck flush to the profile front side</p>	<p><b>Comments</b>          For the optimal assembly of the profiles the connector is to be installed in such a way that the neck is flush to the profile front side</p>		



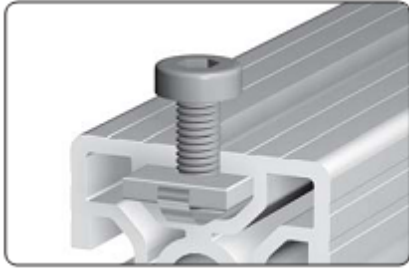
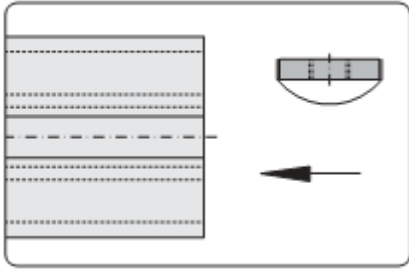
## Assembly hints

None	1.41.E314.1 1.41.F14.1 1.41.E346.1	Combination profile PP, E, 1 - 4.5, grey (bar 2.5 m) Combination profile PP, F, 1-4.5, grey (bar 2.5 m) Combination profile PP, E, 4.5 - 6, grey (bar 2.5 m)
<div data-bbox="198 533 557 764">  <p>Use as reduction profile</p> </div> <div data-bbox="594 533 950 604"> <p><b>Application</b>          Combination profiles for use as reduction or cover profiles</p> </div> <div data-bbox="594 659 795 756"> <p><b>Technical data</b>          bar length: 2.5 m          material: PP          • oil and water resistant</p> </div> <div data-bbox="198 831 557 1062">  <p>Use as slot-cover profile</p> </div> <div data-bbox="594 928 734 1071"> <p><b>Colours:</b> grey          black          orange          red          blue          green</p> </div>		<p>These profiles fill the space between the panel and the walls of the T-slot.</p>
None	1.32.3EM8	T-Nut for subsequent insertion, w. spring-ball E, M8
<div data-bbox="198 1247 605 1514">  <p>Fixing with pin or spring ball</p> </div> <div data-bbox="646 1247 950 1329"> <p><b>Application</b>          Fastening element for screw-type connections</p> </div> <div data-bbox="198 1583 605 1850">  </div> <div data-bbox="646 1583 906 1640"> <p><b>Assembly</b>          Insert front-sided and rotate</p> </div>		<p>These t-nuts are easily inserted into assembled frames, stay in place thanks to the spring loaded ball</p>


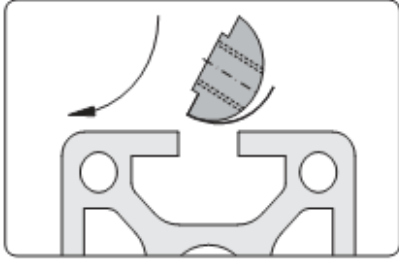
## Assembly hints

None	1.35.608395	Press-fit threaded insert dia: 12/M8, L42.5
		<p>These inserts are used for mounting feet, casters and other hardware. Ideally, you would use the press to insert them, but in some applications you may use a hammer to place them. To avoid thread damage, temporarily install a scrap screw of appropriate size and hammer on the head of the screw, not the insert itself.</p>

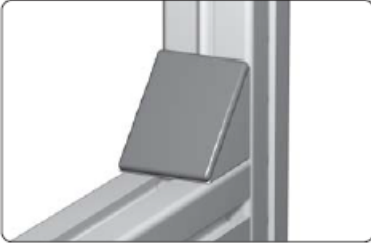
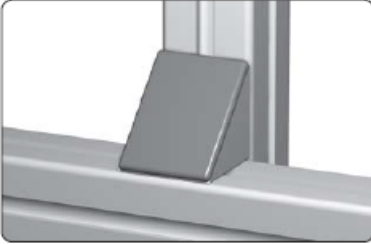
## Assembly hints

None	1.31.EM4	Threaded plate E, M4
	1.31.EM6	Threaded plate E, M6
	1.31.FM4	Threaded plate F, M4
 <p><b>Application</b> Fastening element for screw-type connections</p> <p>Fixed into position with leaf spring</p>  <p><b>Assembly</b> Insert from end</p>		<p>These plates must be inserted from the open side of the profile, prior to final frame assembly</p>

## Assembly hints

None	1.32.4E2M4.25	T-Nut for subsequent insertion, w. spring E, 2xM4
	1.32.4EM5	T-Nut for subsequent insertion, w. spring E, M5
	1.32.4EM6	T-Nut for subsequent insertion, w. spring E, M6
	1.32.4EM8	T-Nut for subsequent insertion, w. spring E, M8
	1.32.4FM6	T-Nut for subsequent insertion, w. spring F, M6
 <p><b>Application</b> Fastening element for screw-type connections</p> <p>Fixing with leaf spring</p>  <p><b>Technical data</b>        Design steel:        • material: steel        • surface: galvanised        Design stainless:        • material: stainless steel 1.4305        • surface: pickled and passivated        max. moment of torque: <math>M_{A, \max}</math></p> <p>Insert front-sided and rotate</p>		<p>These t-nuts are easily inserted into assembled frames</p>

## Assembly hints

ACCESSORY	1.46.204.4039.2	Angle GD-Zn, 40x39, powder-coated
	1.46.204.4039A	Cover cap for angle GD-Zn, 40x39
 <p><b>Application</b>          For supporting profiles and mounting various machine components</p>		<p>These corner brackets or gussets can be used to reinforce or completely replace the Universal or Standard profile connector, make sure to choose the kit appropriate for your slot type H, F or E. These parts could also be used to mount additional parts and hardware.</p>
 <p><b>Technical data</b>          material:          • angle: GD-Zn          • cover cap: PA-GK 30          • T-slot nut: steel, galvanised          • screw: steel, galvanised          surface: natural or aluminium coloured powder-coated</p> <p>For mounting cross to the slot the noses can be broken off</p>		