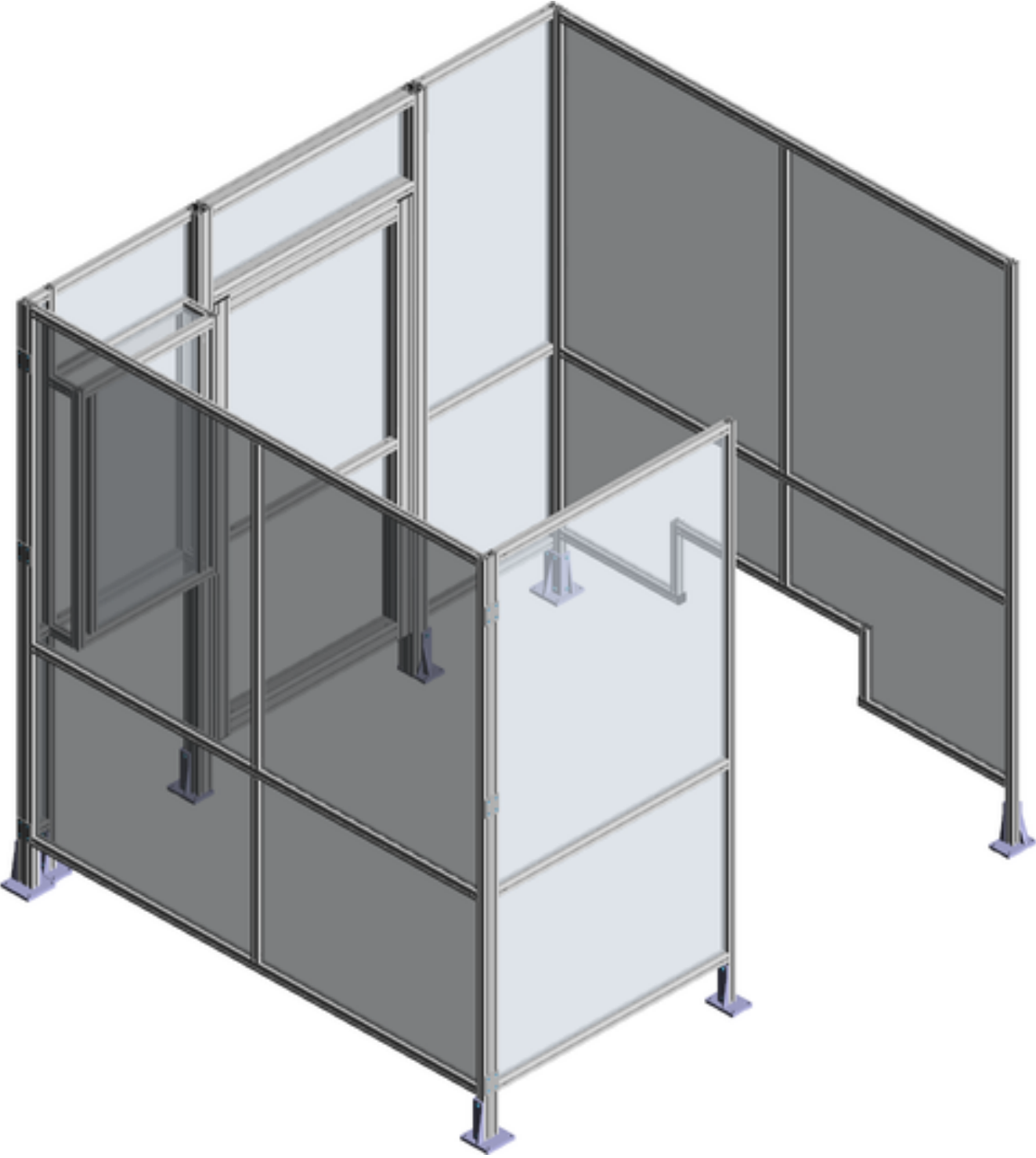


CONSTRUCTION DOCUMENTATION

Design Title : AD18655
Revision Level : B
Approved by :
Designer :
Company :
Address :
E-Mail :
Phone :
Date : 2023-09-21



Bill of materials (Number of kits: 1)

Pos	Article-No	Description	Units	Qty
1	1.11.040040.43LP-AA2AA2/112.4	Profile 40x40, 4E, light, plain	MM	1
2	1.11.040040.43LP-AA4AA4/428	Profile 40x40, 4E, light, plain	MM	1
3	1.11.040040.43LP-AA4A00/609.6	Profile 40x40, 4E, light, plain	MM	1
4	1.11.040040.43LP-AA4AA4/687.7	Profile 40x40, 4E, light, plain	MM	1
5	1.11.040040.43LP-AA1AA1/698.5	Profile 40x40, 4E, light, plain	MM	1
6	1.11.040040.43LP-AA4A00/762	Profile 40x40, 4E, light, plain	MM	1
7	1.11.040040.43LP-AA4AA4/772.8	Profile 40x40, 4E, light, plain	MM	1
8	1.11.040040.43LP-AA4AA4/871.4	Profile 40x40, 4E, light, plain	MM	1
9	1.11.040040.43LP-AA4AA4/944.3	Profile 40x40, 4E, light, plain	MM	1
10	1.11.040040.43LP-AA4AA4/1004.9	Profile 40x40, 4E, light, plain	MM	1
11	1.11.040040.43LP-AA4AA4/1367.8	Profile 40x40, 4E, light, plain	MM	1
12	1.11.040040.43LP-AA1AA1/1367.8	Profile 40x40, 4E, light, plain	MM	1
13	1.11.040040.43LP-AA4A00/294.8	Profile 40x40, 4E, light, plain	MM	2
14	1.11.040040.43LP-AA4AA4/658.5	Profile 40x40, 4E, light, plain	MM	2
15	1.11.040040.43LP-AA1AA1/687.7	Profile 40x40, 4E, light, plain	MM	2
16	1.11.040040.43LP-AA4AA4/698.5	Profile 40x40, 4E, light, plain	MM	2
17	1.11.040040.43LP-AA1AA1/1004.9	Profile 40x40, 4E, light, plain	MM	2
18	1.11.040040.43LP-A00A00/1084.9	Profile 40x40, 4E, light, plain	MM	2
19	1.11.040040.43LP-AA4AA4/2315.8	Profile 40x40, 4E, light, plain	MM	2
20	1.11.040040.43LP-AA1AA1/88.9	Profile 40x40, 4E, light, plain Position for cross bushing bore, left, L: 20.0 mm Position for cross bushing bore, right, L: 20.0 mm	MM	3
21	1.11.040040.43LP-AA4AA4/112.4	Profile 40x40, 4E, light, plain	MM	3
22	1.11.040040.43LP-AA1AA1/1197	Profile 40x40, 4E, light, plain	MM	3
23	1.11.040040.43LP-AA1AA1/2315.8	Profile 40x40, 4E, light, plain	MM	3
24	1.11.040040.43LP-A00A00/2438.4	Profile 40x40, 4E, light, plain	MM	9
25	1.11.040080.64LP-FB1FB1/1041.4	Profile 40x80, 6E, light, plain	MM	2
26	1.11.080080.83LP-LD0LD0/871.4	Profile 80x80, 8E, light, plain Position for cross bushing bore, left: ACEF;Position for cross bushing bore, right: ABDF;	MM	1
27	1.11.080080.83LP-LD0LD0/871.4	Profile 80x80, 8E, light, plain Position for cross bushing bore, left: ABDF;Position for cross bushing bore, right: ACDf;	MM	1
28	1.11.080080.83LP-L00L00/1835.7	Profile 80x80, 8E, light, plain	MM	2
29	1.11.080080.83LP-L00L00/2438.4	Profile 80x80, 8E, light, plain	MM	2
30	1.41.E346.1-A00A00/374.9	Combination profile PP, E, 4.5 - 6, grey (bar 2.5 m)	MM	1
31	1.41.E346.1-A00A00/527.3	Combination profile PP, E, 4.5 - 6, grey (bar 2.5 m)	MM	1
32	1.41.E346.1-A00A00/568.6	Combination profile PP, E, 4.5 - 6, grey (bar 2.5 m)	MM	1
33	1.41.E346.1-A00A00/721	Combination profile PP, E, 4.5 - 6, grey (bar 2.5 m)	MM	1
34	1.41.E346.1-A00A00/19.6	Combination profile PP, E, 4.5 - 6, grey (bar 2.5 m)	MM	2
35	1.41.E346.1-A00A00/21.6	Combination profile PP, E, 4.5 - 6, grey (bar 2.5 m)	MM	2
36	1.41.E346.1-A00A00/25.4	Combination profile PP, E, 4.5 - 6, grey (bar 2.5 m)	MM	2
37	1.41.E346.1-A00A00/294.8	Combination profile PP, E, 4.5 - 6, grey (bar 2.5 m)	MM	2
38	1.41.E346.1-A00A00/428	Combination profile PP, E, 4.5 - 6, grey (bar 2.5 m)	MM	2
39	1.41.E346.1-A00A00/531.5	Combination profile PP, E, 4.5 - 6, grey (bar 2.5 m)	MM	2

Bill of materials (Number of kits: 1)

Pos	Article-No	Description	Units	Qty
40	1.41.E346.1-A00A00/698.5	Combination profile PP, E, 4.5 - 6, grey (bar 2.5 m)	MM	2
41	1.41.E346.1-A00A00/720.8	Combination profile PP, E, 4.5 - 6, grey (bar 2.5 m)	MM	2
42	1.41.E346.1-A00A00/772.8	Combination profile PP, E, 4.5 - 6, grey (bar 2.5 m)	MM	2
43	1.41.E346.1-A00A00/871.4	Combination profile PP, E, 4.5 - 6, grey (bar 2.5 m)	MM	2
44	1.41.E346.1-A00A00/1041.4	Combination profile PP, E, 4.5 - 6, grey (bar 2.5 m)	MM	2
45	1.41.E346.1-A00A00/1685.7	Combination profile PP, E, 4.5 - 6, grey (bar 2.5 m)	MM	2
46	1.41.E346.1-A00A00/88.9	Combination profile PP, E, 4.5 - 6, grey (bar 2.5 m)	MM	4
47	1.41.E346.1-A00A00/110.4	Combination profile PP, E, 4.5 - 6, grey (bar 2.5 m)	MM	4
48	1.41.E346.1-A00A00/320.9	Combination profile PP, E, 4.5 - 6, grey (bar 2.5 m)	MM	4
49	1.41.E346.1-A00A00/687.7	Combination profile PP, E, 4.5 - 6, grey (bar 2.5 m)	MM	4
50	1.41.E346.1-A00A00/1197	Combination profile PP, E, 4.5 - 6, grey (bar 2.5 m)	MM	4
51	1.41.E346.1-A00A00/1367.8	Combination profile PP, E, 4.5 - 6, grey (bar 2.5 m)	MM	4
52	1.41.E346.1-A00A00/112.4	Combination profile PP, E, 4.5 - 6, grey (bar 2.5 m)	MM	8
53	1.41.E346.1-A00A00/656.5	Combination profile PP, E, 4.5 - 6, grey (bar 2.5 m)	MM	8
54	1.41.E346.1-A00A00/770.8	Combination profile PP, E, 4.5 - 6, grey (bar 2.5 m)	MM	8
55	1.41.E346.1-A00A00/1365.8	Combination profile PP, E, 4.5 - 6, grey (bar 2.5 m)	MM	10
56	1.41.E346.1-A00A00/1002.9	Combination profile PP, E, 4.5 - 6, grey (bar 2.5 m)	MM	13
57	1.41.E346.1-A00A00/1136.9	Combination profile PP, E, 4.5 - 6, grey (bar 2.5 m)	MM	14
77	1.42.20404.2	Cover cap 40x40, dia: 12, black	EA	2
78	1.42.20808.2	Cover cap 80x80, black	EA	4
79	1.44.84.4040.00L	Base foot 40x40, type 1, left	EA	5
80	1.44.84.4080.00L	Base foot 40x80, type 1, left	EA	3
81	1.47.50708	Connection plate 70x80	EA	9
82	1.61.24200	Handle PA, with bore dia: 8.5 L200	EA	1
83	1.65.2538078	Lock GD-ZN	EA	1
84	0.63.D06912.06016	Cylindric head screw, DIN 6912 - M6x16	EA	4
85	0.63.D06912.08020	Cylindric head screw, DIN 6912 - M8x20	EA	2
86	0.63.D07991.06014	Flat head screw, DIN 7991 - M6x14	EA	36
87	0.63.D07991.08014	Flat head screw, DIN 7991, M8x14	EA	16
88	0.63.WN0251.08020	Collar screw, M8x20, WN0251	EA	36
89	1.21.4E0	Connector, universal	EA	86
90	1.21.4E5	Connector, parallel-square	EA	6
91	1.31.6EM8	Threaded plate, heavy, E, M8	EA	36
92	1.32.4EM6	T-Nut for subsequent insertion, w. spring E, M6	EA	40
93	1.32.4EM8	T-Nut for subsequent insertion, w. spring E, M8	EA	18
94	1.62.842032085V	Aluminium hinge heavy Type 20, PG 40, stainless	EA	4
		Frame weight:	147.85 kg (325.96 lbs)	
58	2.87.2201-99	Polycarbonat 5,6mm, SIZE: 41.60MM x 1024.90MM **PER DRAWING 1**	SM	1
59	2.87.2201-99	Polycarbonat 5,6mm, SIZE: 45.40MM x 1024.90MM **PER DRAWING 2**	SM	1
60	2.87.2201-99	Polycarbonat 5,6mm, SIZE: 108.90MM x 792.80MM **PER DRAWING 3**	SM	1

Bill of materials (Number of kits: 1)

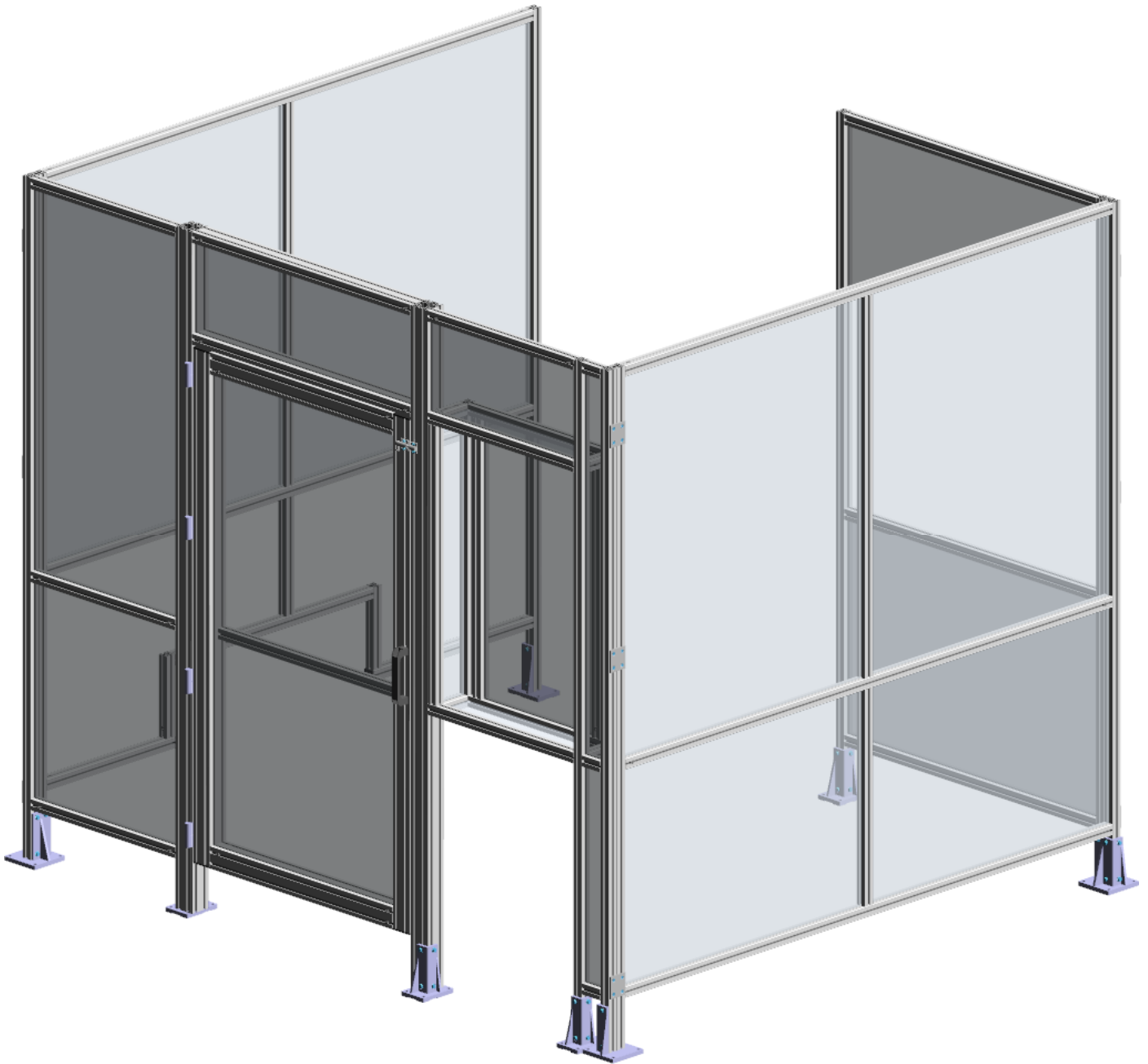
Pos	Article-No	Description	Units	Qty
61	2.87.2201-99	Polycarbonat 5,6mm, SIZE: 132.40MM x 1024.90MM **PER DRAWING 4**	SM	1
62	2.87.2201-99	Polycarbonat 5,6mm, SIZE: 132.40MM x 1024.90MM **PER DRAWING 5**	SM	1
63	2.87.2201-99	Polycarbonat 5,6mm, SIZE: 108.90MM x 1387.80MM **PER DRAWING 6**	SM	1
64	2.87.2201-99	Polycarbonat 5,6mm, SIZE: 342.90MM x 718.50MM **PER DRAWING 7**	SM	1
65	2.87.2201-99	Polycarbonat 5,6mm, SIZE: 342.90MM x 1061.40MM **PER DRAWING 8**	SM	1
66	2.87.2201-99	Polycarbonat 5,6mm, SIZE: 707.70MM x 792.80MM **PER DRAWING 9**	SM	1
67	2.87.2201-99	Polycarbonat 5,6mm, SIZE: 551.50MM x 1024.90MM **PER DRAWING 10**	SM	1
68	2.87.2201-99	Polycarbonat 5,6mm, SIZE: 742.80MM x 1157.92MM **PER DRAWING 11**	SM	1
69	2.87.2201-99	Polycarbonat 5,6mm, SIZE: 742.80MM x 1157.93MM **PER DRAWING 12**	SM	1
70	2.87.2201-99	Polycarbonat 5,6mm, SIZE: 792.80MM x 1217.00MM **PER DRAWING 13**	SM	1
71	2.87.2201-99	Polycarbonat 5,6mm, SIZE: 707.70MM x 1387.80MM **PER DRAWING 14**	SM	1
72	2.87.2201-99	Polycarbonat 5,6mm, SIZE: 891.40MM x 1707.70MM **PER DRAWING 15**	SM	1
73	2.87.2201-99	Polycarbonat 5,6mm, SIZE: 1217.00MM x 1387.80MM **PER DRAWING 16**	SM	1
74	2.87.2201-99	Polycarbonat 5,6mm, SIZE: 132.40MM x 678.50MM **PER DRAWING 17**	SM	2
75	2.87.2201-99	Polycarbonat 5,6mm, SIZE: 792.80MM x 1157.92MM **PER DRAWING 18**	SM	2
76	2.87.2201-99	Polycarbonat 5,6mm, SIZE: 1157.92MM x 1387.80MM **PER DRAWING 19**	SM	4

Panels weight:	84.41 kg (186.10 lbs)
Total Weight:	232.27 kg (512.06 lbs)

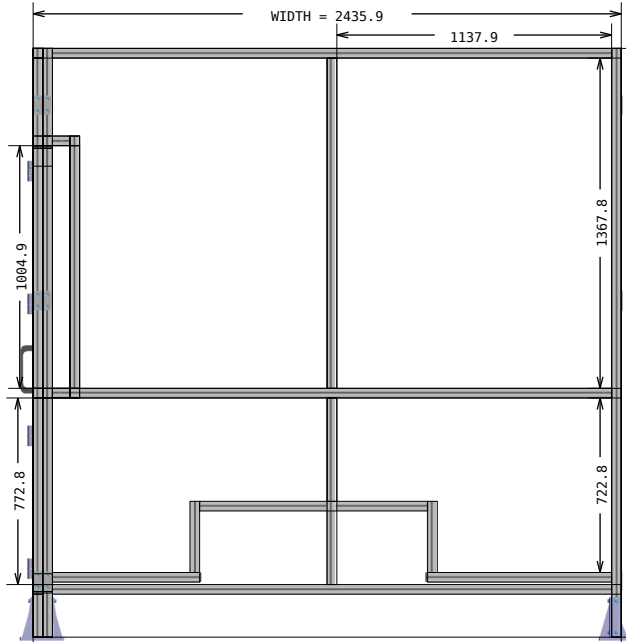
Design Notes (Comment): INBOUND SAFETY CAGE FOR DENORA W0 17693

Isometric view

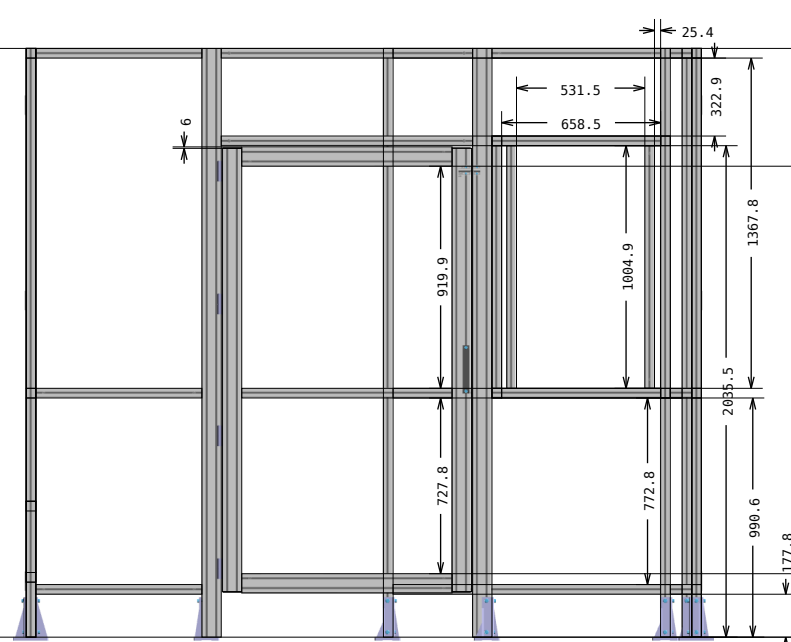
Some accessories may not be shown



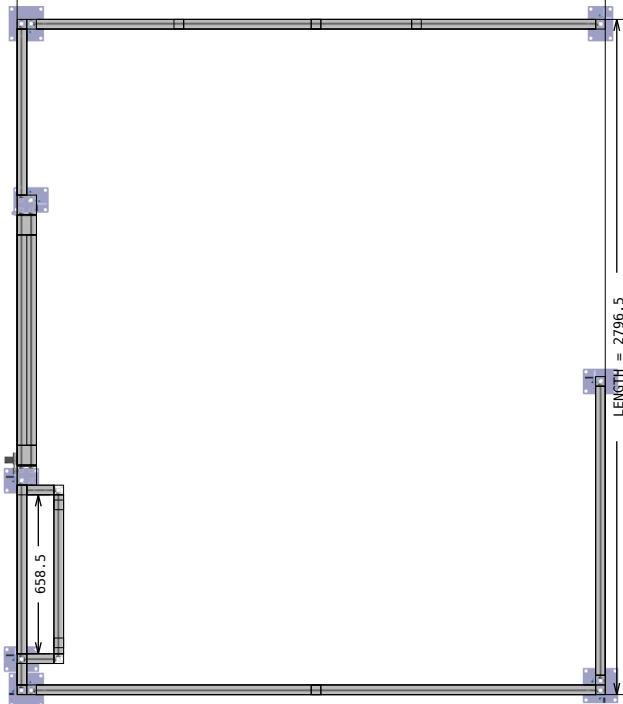
Multiview



FRONT



LEFT

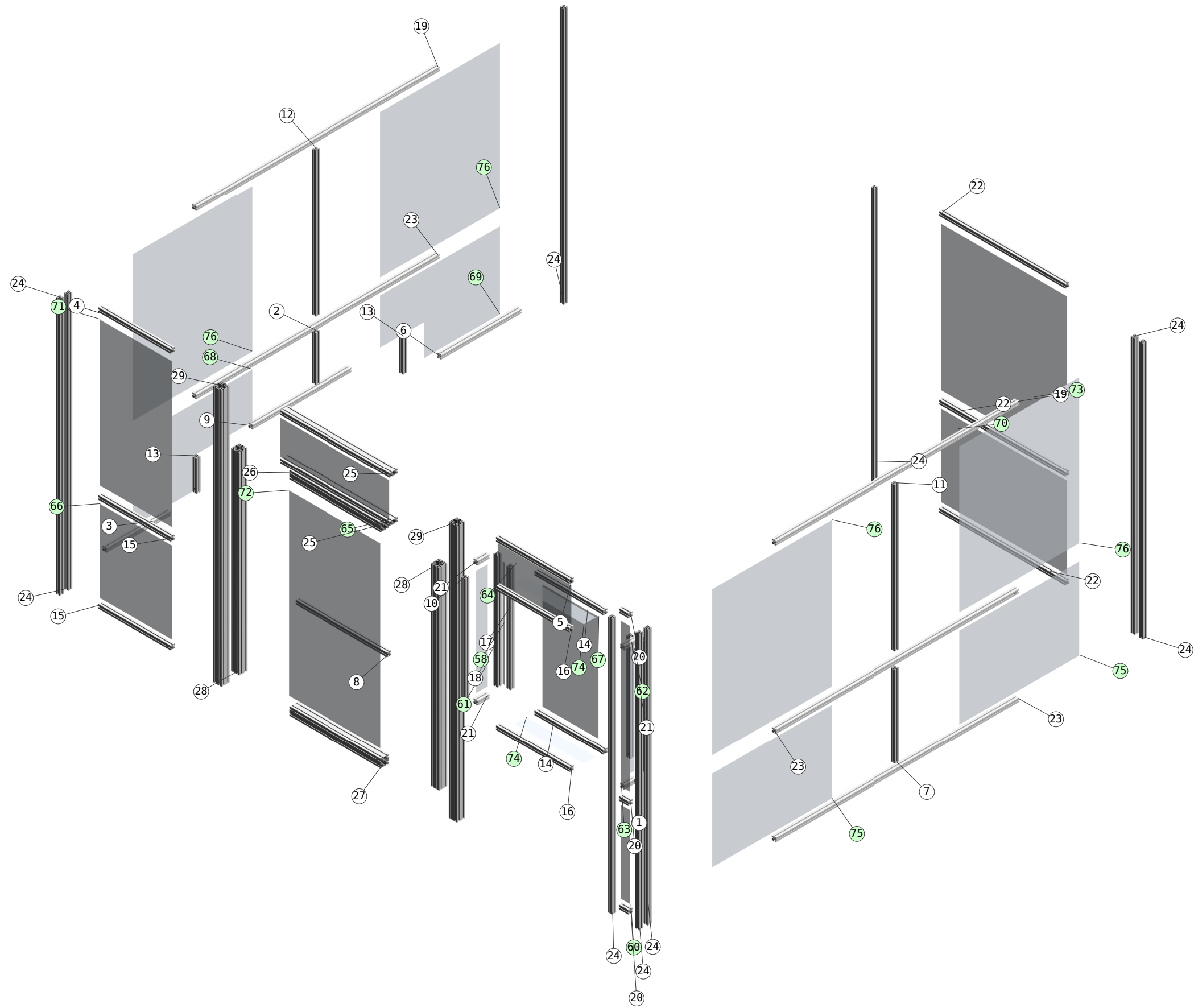


TOP

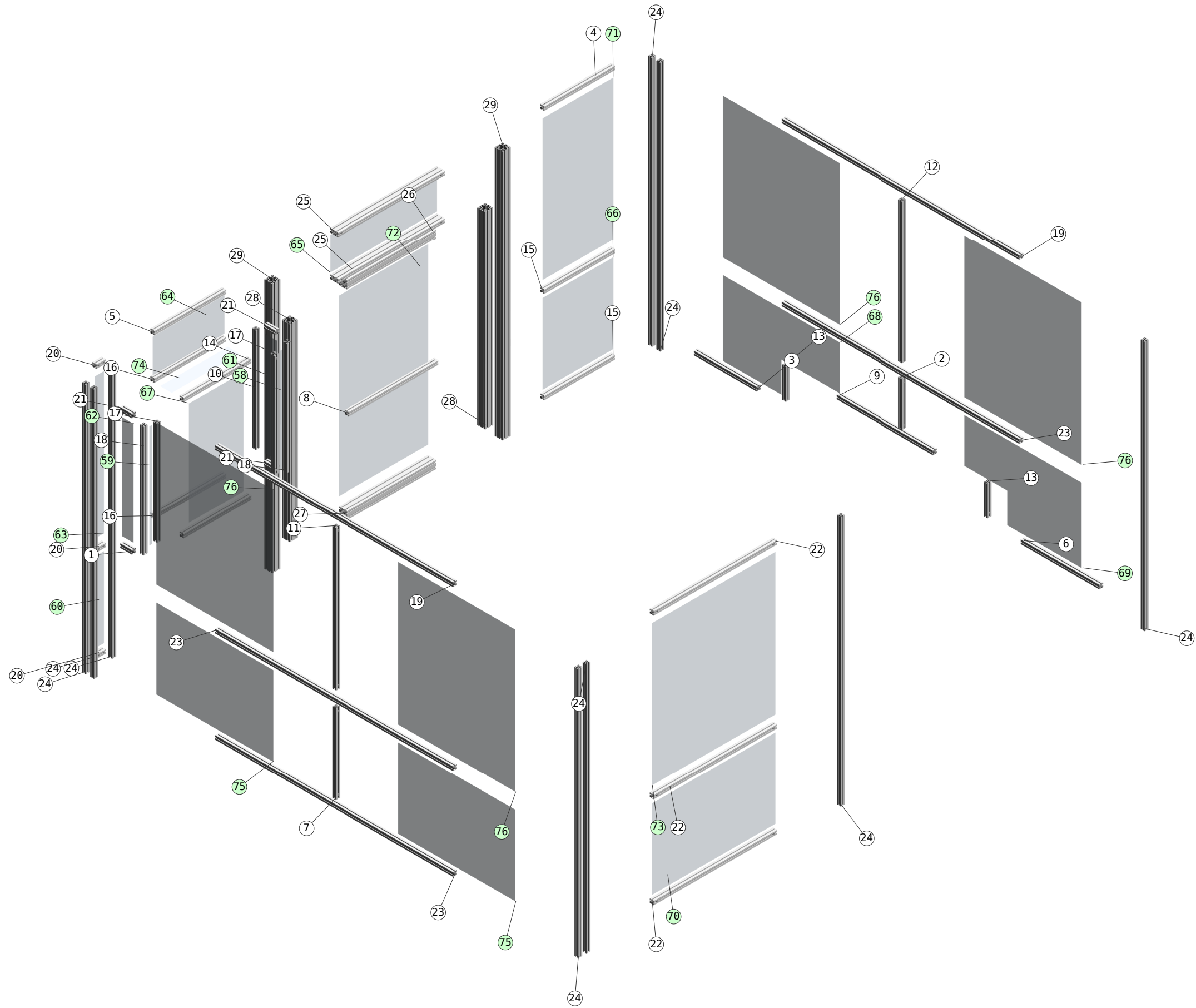


ISOMETRIC

Exploded view

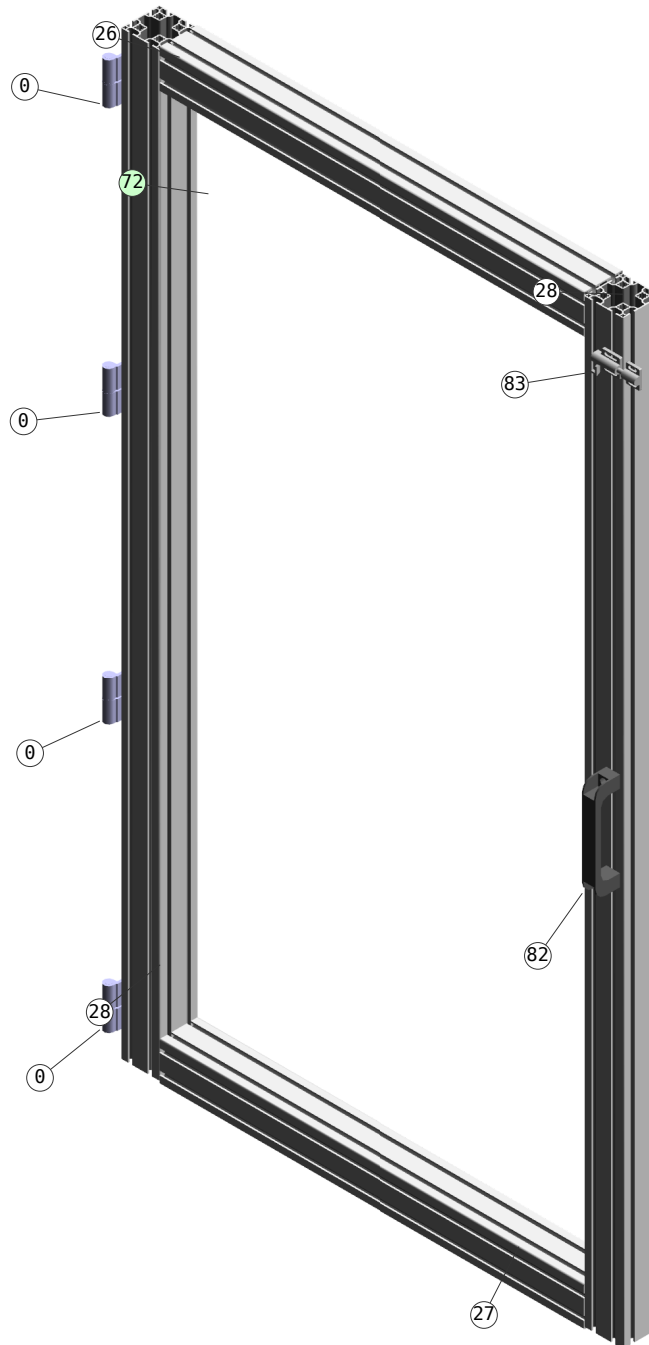


Exploded view, mirrored



Components of group: Door

Panels are not shown for image clarity, their locations are marked by green balloons



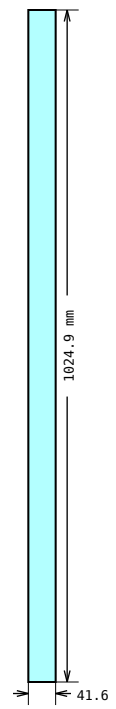
Assembly List

Pos	Article-No	Description	Related parts	Qty
1	1.11.040040.43LP-AA2AA2/112.4	Profile 40x40, 4E, light, plain	1.21.4E0, Connector, universal	2
2	1.11.040040.43LP-AA4AA4/428	Profile 40x40, 4E, light, plain	1.21.4E0, Connector, universal	2
3	1.11.040040.43LP-AA4A00/609.6	Profile 40x40, 4E, light, plain	1.21.4E0, Connector, universal	1
4	1.11.040040.43LP-AA4AA4/687.7	Profile 40x40, 4E, light, plain	1.21.4E0, Connector, universal	2
5	1.11.040040.43LP-AA1AA1/698.5	Profile 40x40, 4E, light, plain	1.21.4E0, Connector, universal	2
6	1.11.040040.43LP-AA4A00/762	Profile 40x40, 4E, light, plain	1.21.4E0, Connector, universal	1
7	1.11.040040.43LP-AA4AA4/772.8	Profile 40x40, 4E, light, plain	1.21.4E0, Connector, universal	2
8	1.11.040040.43LP-AA4AA4/871.4	Profile 40x40, 4E, light, plain	1.21.4E0, Connector, universal	2
9	1.11.040040.43LP-AA4AA4/944.3	Profile 40x40, 4E, light, plain	1.21.4E0, Connector, universal	2
10	1.11.040040.43LP-AA4AA4/1004.9	Profile 40x40, 4E, light, plain	1.21.4E0, Connector, universal	2
11	1.11.040040.43LP-AA4AA4/1367.8	Profile 40x40, 4E, light, plain	1.21.4E0, Connector, universal	2
12	1.11.040040.43LP-AA1AA1/1367.8	Profile 40x40, 4E, light, plain	1.21.4E0, Connector, universal	2
13	1.11.040040.43LP-AA4A00/294.8	Profile 40x40, 4E, light, plain	1.21.4E0, Connector, universal	2
14	1.11.040040.43LP-AA4AA4/658.5	Profile 40x40, 4E, light, plain	1.21.4E0, Connector, universal	4
15	1.11.040040.43LP-AA1AA1/687.7	Profile 40x40, 4E, light, plain	1.21.4E0, Connector, universal	4
16	1.11.040040.43LP-AA4AA4/698.5	Profile 40x40, 4E, light, plain	1.21.4E0, Connector, universal	4
17	1.11.040040.43LP-AA1AA1/1004.9	Profile 40x40, 4E, light, plain	1.21.4E0, Connector, universal	4
19	1.11.040040.43LP-AA4AA4/2315.8	Profile 40x40, 4E, light, plain	1.21.4E0, Connector, universal	4
20	1.11.040040.43LP-AA1AA1/88.9	Profile 40x40, 4E, light, plain	1.21.4E5, Connector, parallel-square	6
21	1.11.040040.43LP-AA4AA4/112.4	Profile 40x40, 4E, light, plain	1.21.4E0, Connector, universal	6
22	1.11.040040.43LP-AA1AA1/1197	Profile 40x40, 4E, light, plain	1.21.4E0, Connector, universal	6
23	1.11.040040.43LP-AA1AA1/2315.8	Profile 40x40, 4E, light, plain	1.21.4E0, Connector, universal	6
25	1.11.040080.64LP-FB1FB1/1041.4	Profile 40x80, 6E, light, plain	1.21.4E0, Connector, universal	8
26	1.11.080080.83LP-LD0LD0/871.4	Profile 80x80, 8E, light, plain	1.21.4E0, Connector, universal	8
27	1.11.080080.83LP-LD0LD0/871.4	Profile 80x80, 8E, light, plain	1.21.4E0, Connector, universal	8
79	1.44.84.4040.00L	Base foot 40x40, type 1, left	0.63.WN0251.08020, Collar screw, M8x20, WN0251 1.31.6EM8, Threaded plate, heavy, E, M8	18 18
80	1.44.84.4080.00L	Base foot 40x80, type 1, left	0.63.WN0251.08020, Collar screw, M8x20, WN0251 1.31.6EM8, Threaded plate, heavy, E, M8	18 18
81	1.47.50708	Connection plate 70x80	0.63.D07991.06014, Flat head screw, DIN 7991 - M6x14 1.32.4EM6, T-Nut for subsequent insertion, w. spring E, M6	36 36
82	1.61.24200	Handle PA, with bore dia: 8.5 L200	0.63.D06912.08020, Cylindric head screw, DIN 6912 - M8x20 1.32.4EM8, T-Nut for subsequent insertion, w. spring E, M8	2 2

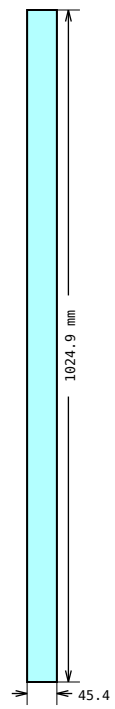
Assembly List

Pos	Article-No	Description	Related parts	Qty
83	1.65.2538078	Lock GD-ZN	0.63.D06912.06016, Cylindric head screw, DIN 6912 - M6x16 1.32.4EM6, T-Nut for subsequent insertion, w. spring E. M6	4 4

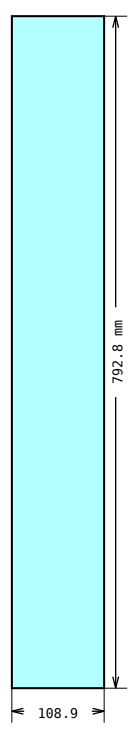
Panels



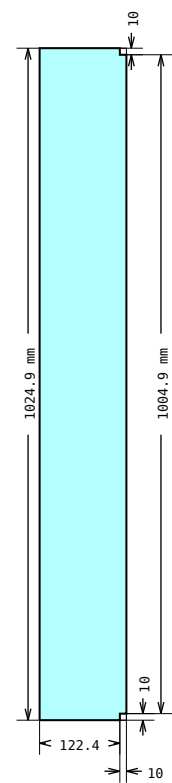
DRAWING 1, Pos 58
Shape measurements



DRAWING 2, Pos 59
Shape measurements

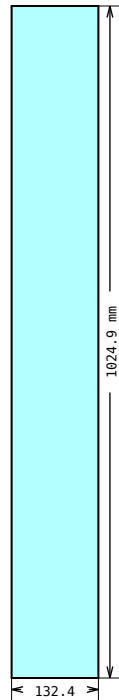


DRAWING 3, Pos 60
Shape measurements

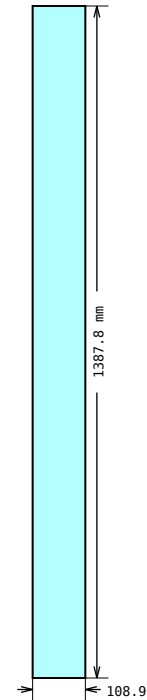


DRAWING 4, Pos 61
Shape measurements

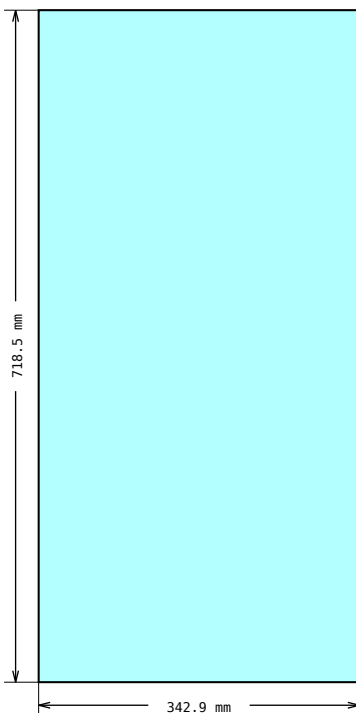
Panels



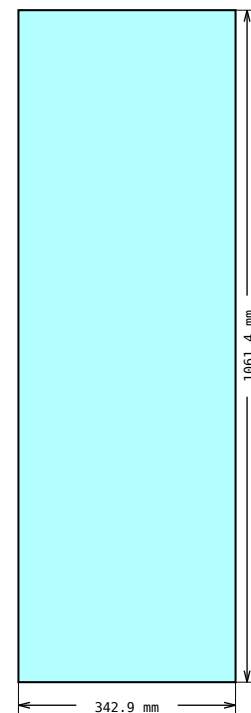
DRAWING 5, Pos 62
Shape measurements



DRAWING 6, Pos 63
Shape measurements

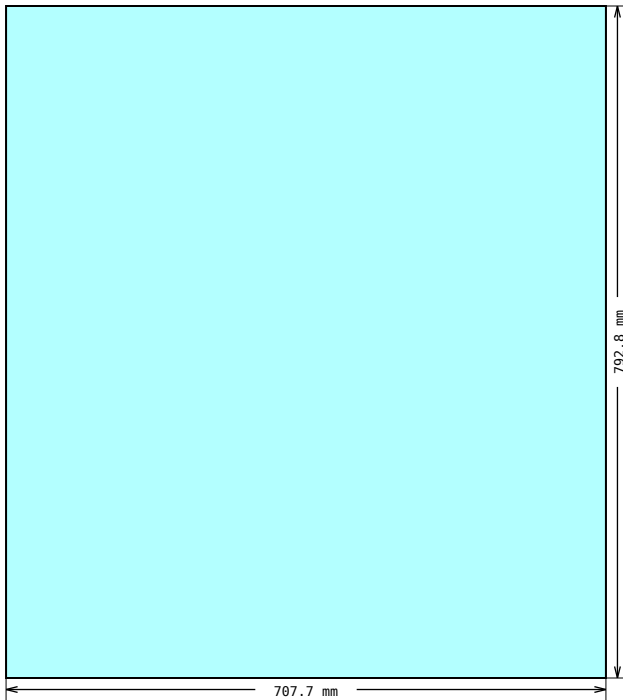


DRAWING 7, Pos 64
Shape measurements

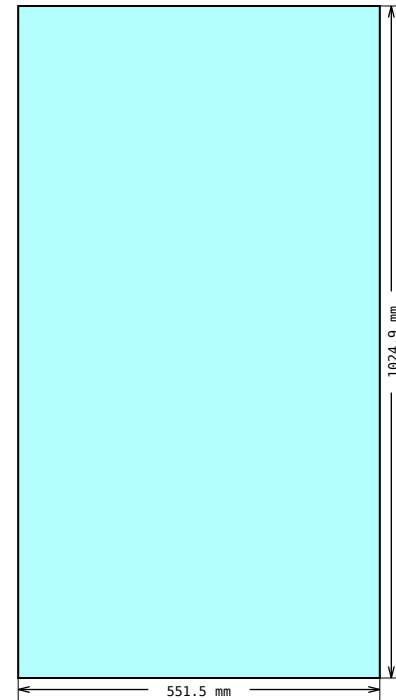


DRAWING 8, Pos 65
Shape measurements

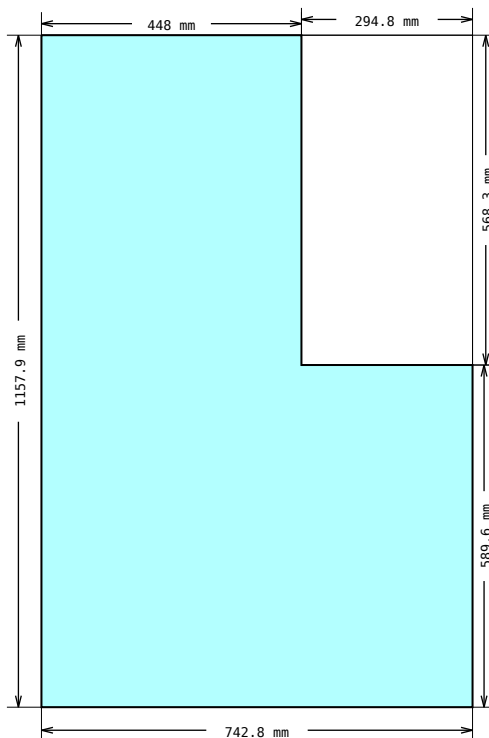
Panels



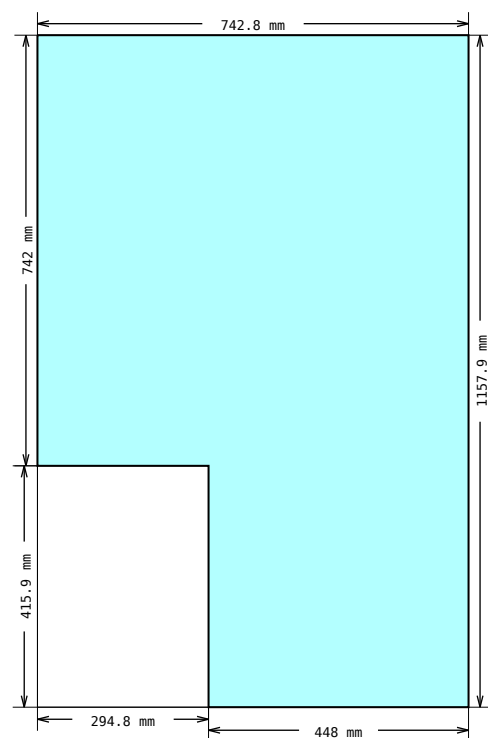
DRAWING 9, Pos 66
Shape measurements



DRAWING 10, Pos 67
Shape measurements

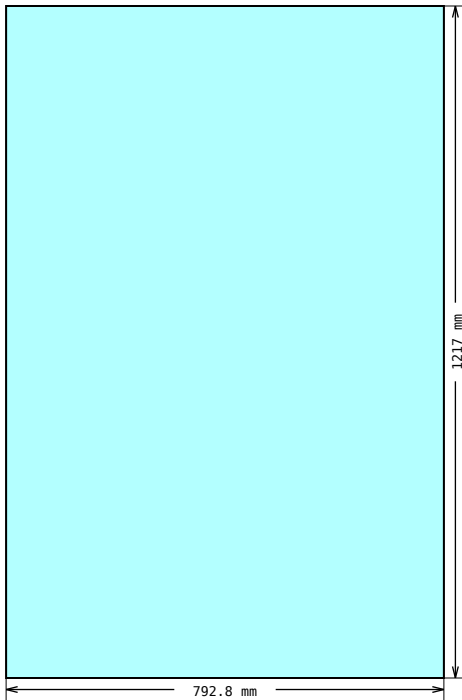


DRAWING 11, Pos 68
Shape measurements

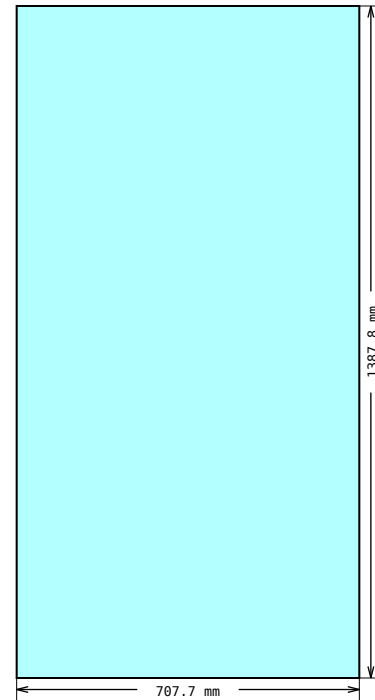


DRAWING 12, Pos 69
Shape measurements

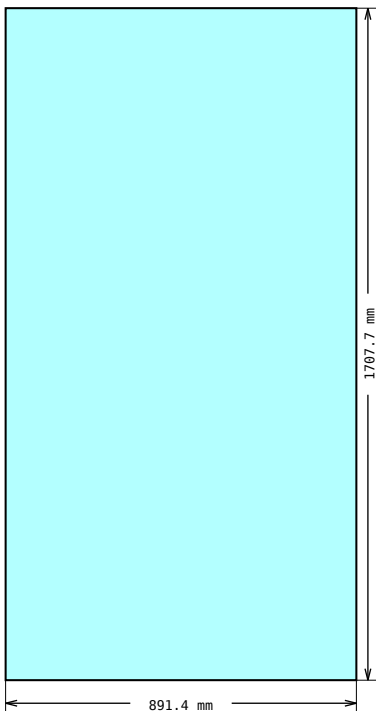
Panels



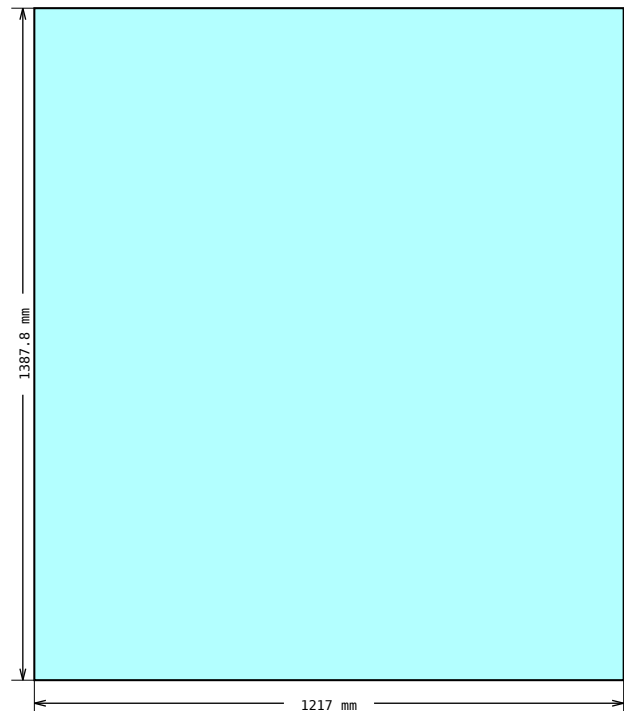
DRAWING 13, Pos 70
Shape measurements



DRAWING 14, Pos 71
Shape measurements

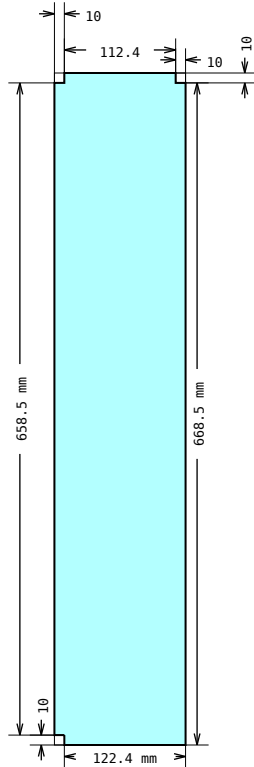


DRAWING 15, Pos 72
Shape measurements

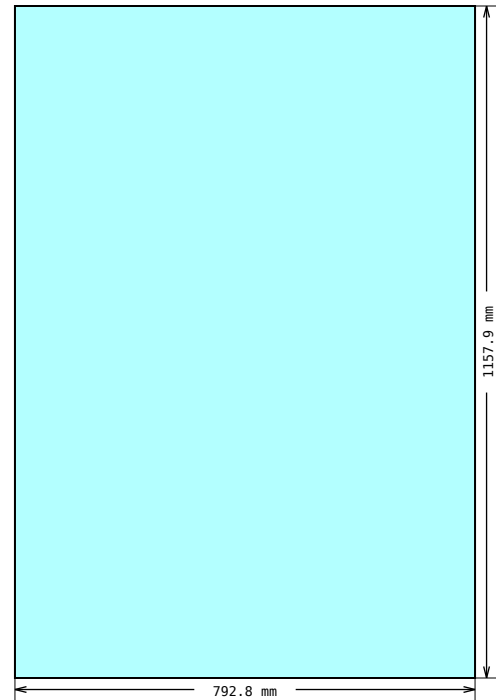


DRAWING 16, Pos 73
Shape measurements

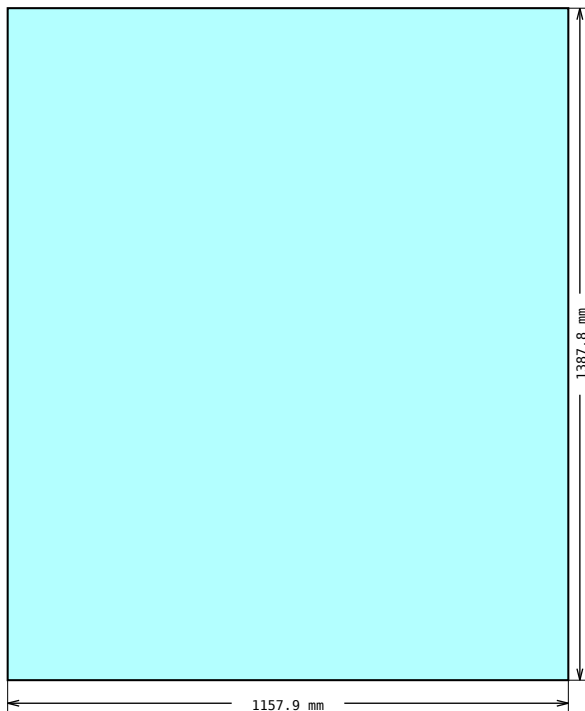
Panels



DRAWING 17, Pos 74
Shape measurements

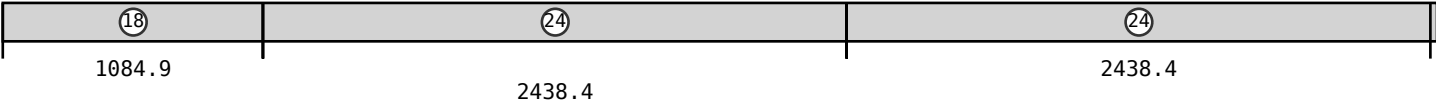






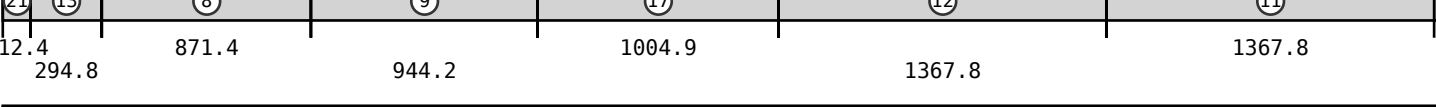
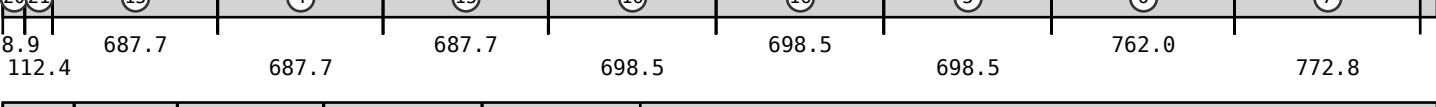
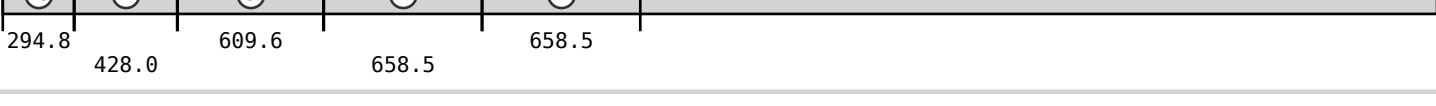




DRAWING 18, Pos 75
Shape measurements



DRAWING 19, Pos 76
Shape measurements


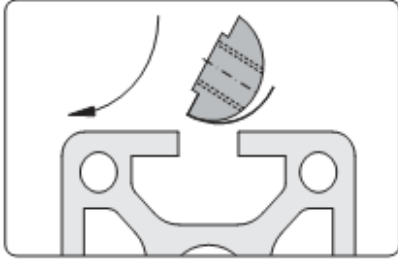
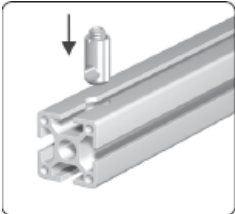
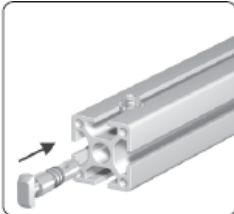
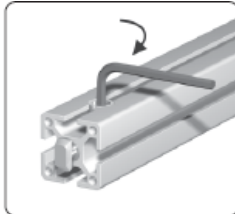
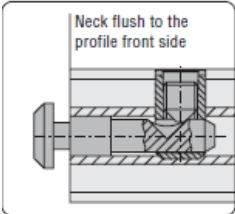
Suggested profile cuts (incl. kerf: 3.5 mm)

Article-No	Cuts	Waste (mm)
1.11.040040.43LP		27.8 mm
		27.8 mm
		15.4 mm
		15.4 mm
		38.2 mm
		44.9 mm
		44.9 mm
		12.2 mm
		70.3 mm
		3333.1 mm
1.11.040080.64LP		3910.2 mm
1.11.080080.83LP		241.3 mm

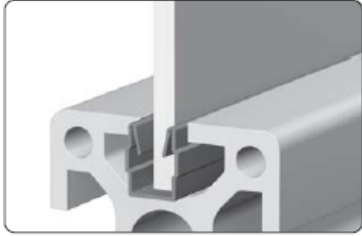
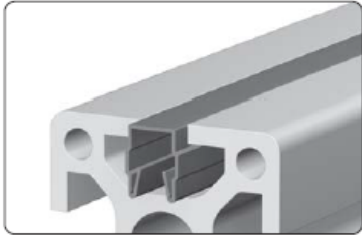
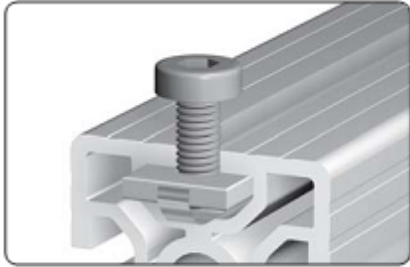
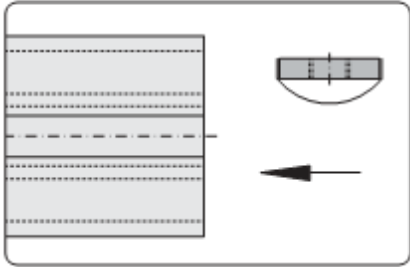
Suggested profile cuts (incl. kerf: 3.5 mm)

Article-No	Cuts	Waste (mm)
871.4	1835.7	1446.7 mm

Assembly hints

ACCESSORY	1.32.4EM6	T-Nut for subsequent insertion, w. spring E, M6
	1.32.4EM8	T-Nut for subsequent insertion, w. spring E, M8
 <p>Fixing with leaf spring</p>  <p>Insert front-sided and rotate</p> <p>Application Fastening element for screw-type connections</p> <p>Technical data Design steel: • material: steel • surface: galvanised Design stainless: • material: stainless steel 1.4305 • surface: pickled and passivated max. moment of torque: $M_{A, \max}$</p>		These t-nuts are easily inserted into assembled frames
CONNECTOR	1.21.4E0	Connector, universal
	1.21.4E5	Connector, parallel-square
 <p>Insert the cross bushing</p>  <p>Push in the anchor</p>  <p>Pretension the anchor</p>  <p>Neck flush to the profile front side</p> <p>Comments For the optimal assembly of the profiles the connector is to be installed in such a way that the neck is flush to the profile front side</p>		Most MayTec connectors follow these assembly steps. Tightening torque is: 5-15 Nm for 20mm profiles, 30 Nm for 30mm group, 35 Nm for 40mm and larger profiles.

Assembly hints

None	1.41.E346.1	Combination profile PP, E, 4.5 - 6, grey (bar 2.5 m)
<div data-bbox="198 441 557 674">  <p>Use as reduction profile</p> </div> <div data-bbox="592 436 950 514"> <p>Application Combination profiles for use as reduction or cover profiles</p> </div> <div data-bbox="592 564 795 663"> <p>Technical data bar length: 2.5 m material: PP • oil and water resistant</p> </div> <div data-bbox="198 737 557 970">  <p>Use as slot-cover profile</p> </div> <div data-bbox="592 833 734 978"> <p>Colours: grey black orange red blue green</p> </div>		<p>These profiles fill the space between the panel and the walls of the T-slot.</p>
None	1.31.6EM8	Threaded plate, heavy, E, M8
<div data-bbox="198 1163 605 1428">  <p>Fixed into position with leaf spring</p> </div> <div data-bbox="643 1161 951 1245"> <p>Application Fastening element for screw-type connections</p> </div> <div data-bbox="198 1499 605 1764">  </div> <div data-bbox="643 1497 792 1554"> <p>Assembly Insert from end</p> </div>		<p>These plates must be inserted from the open side of the profile, prior to final frame assembly</p>