



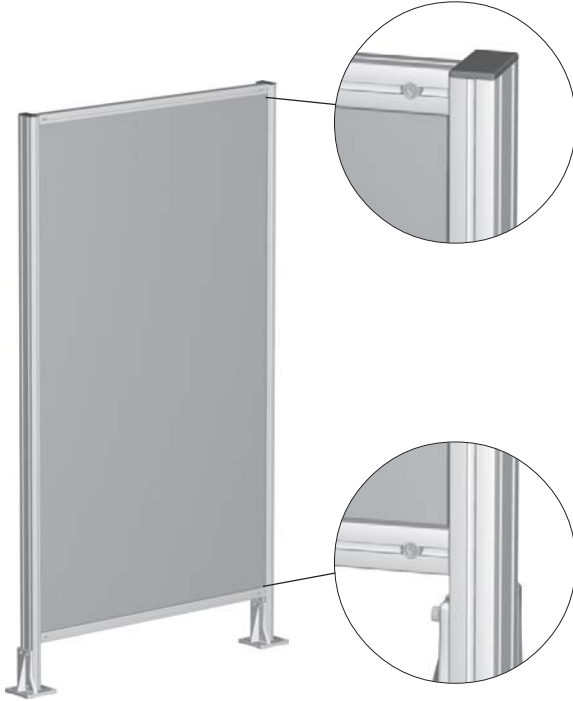
## Protective Barriers

**Protective Barrier Element, Complete**

**Variation 11111**

Without frame

Panel element mounted in slot

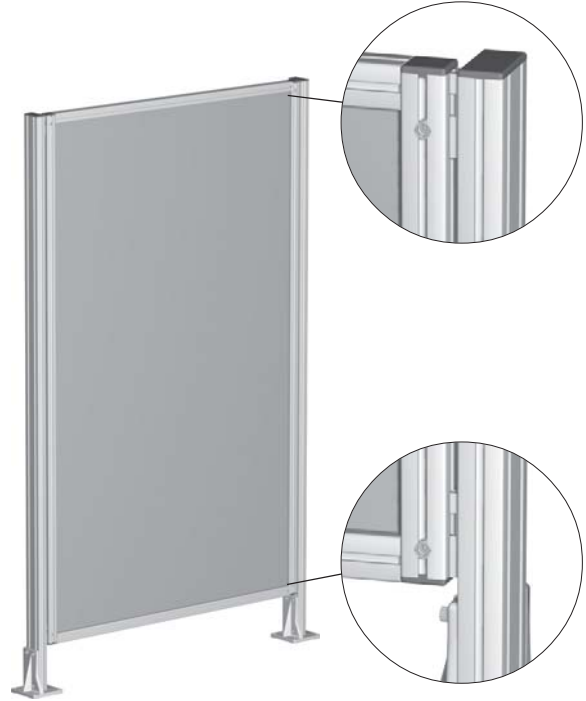


**Protective Barrier Element, Complete**

**Variation 21111**

With removable frame

Panel element mounted in slot

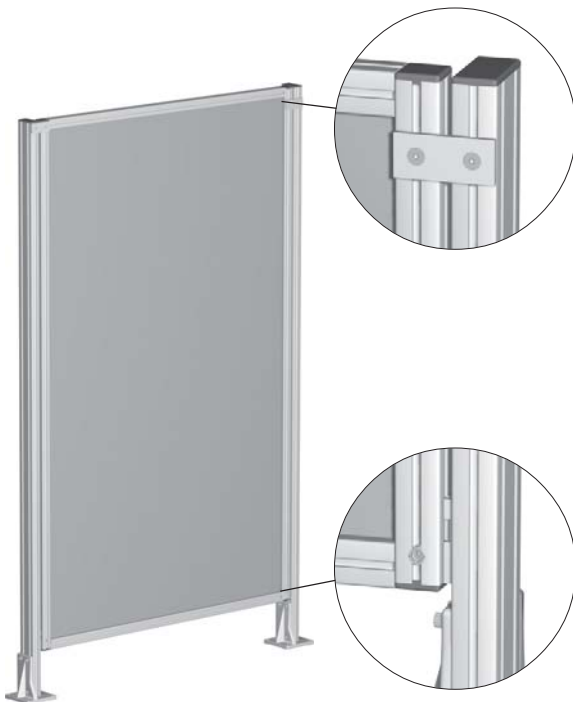


**Protective Barrier Element, Complete**

**Variation 31111**

With tilt frame - removable

Panel element mounted in slot



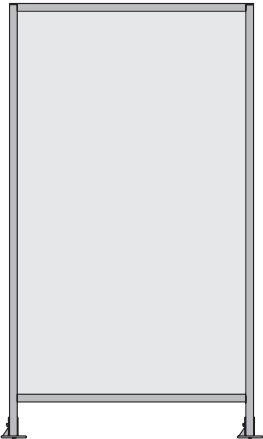
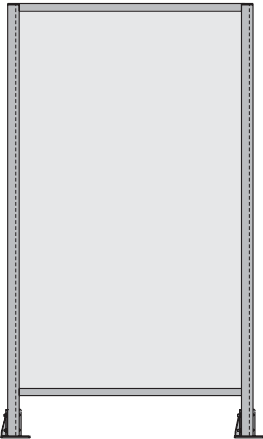
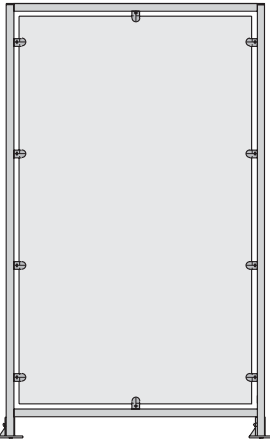
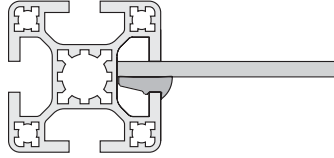
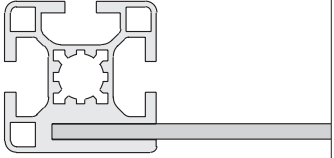
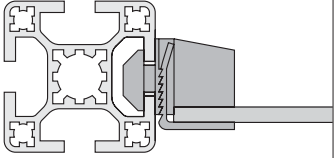
**Protective Barrier Element, Complete**

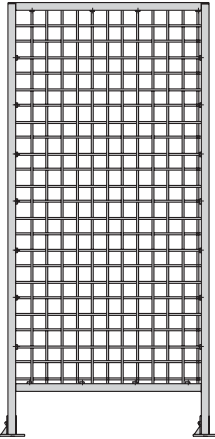
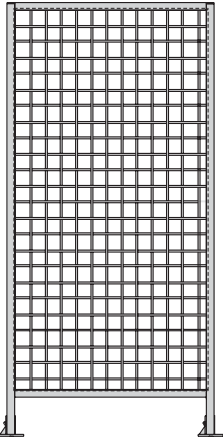
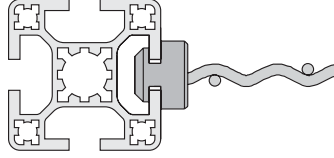
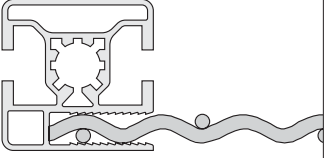
**Variation 41111**

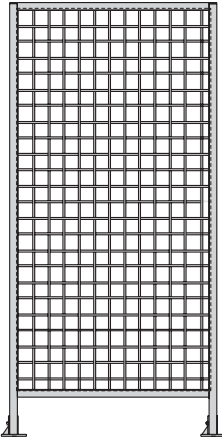
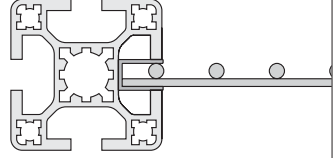
With removable frame - bracket mount


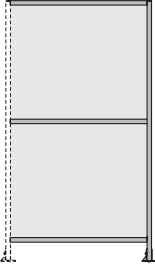
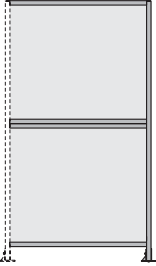
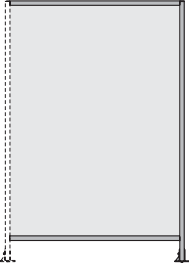
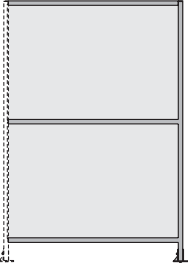
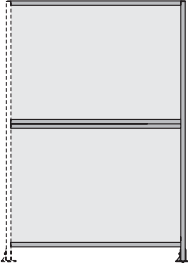
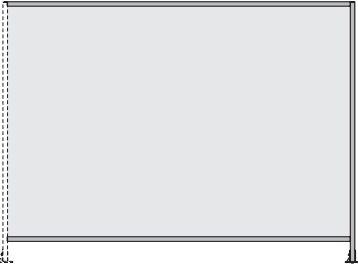
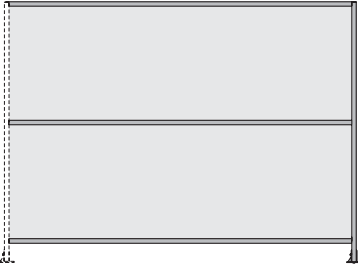
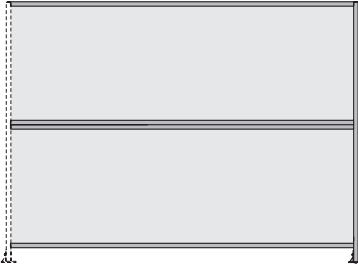
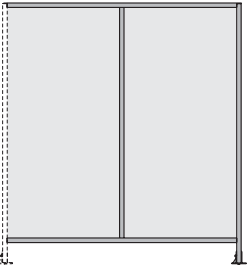
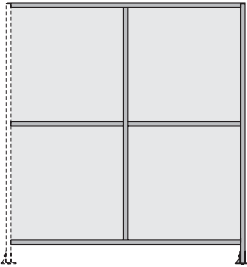
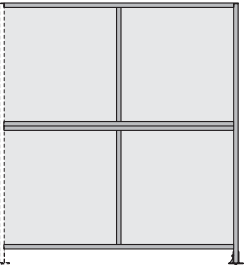
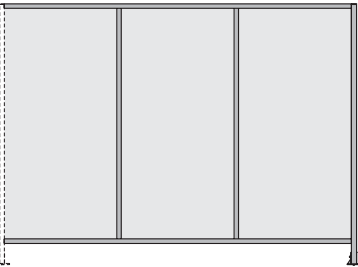
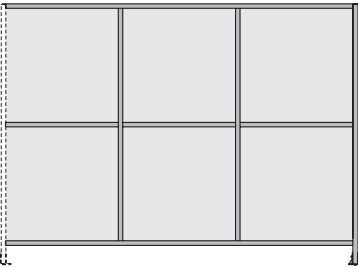
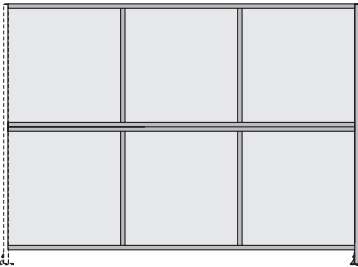
Panel element mounted in slot

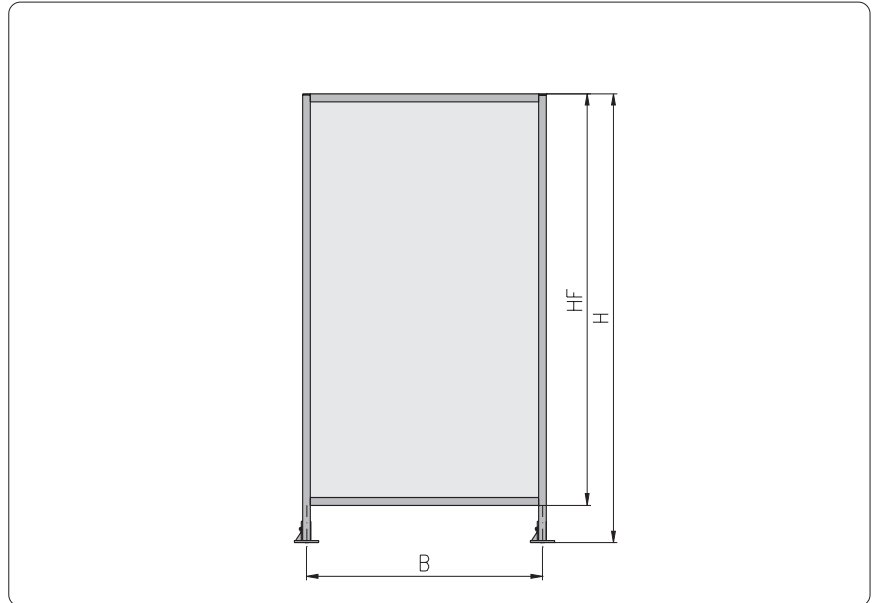


Panel elements		
		
		
<b>in slot</b>	<b>with panel profile</b>	<b>with mounting blocks</b>

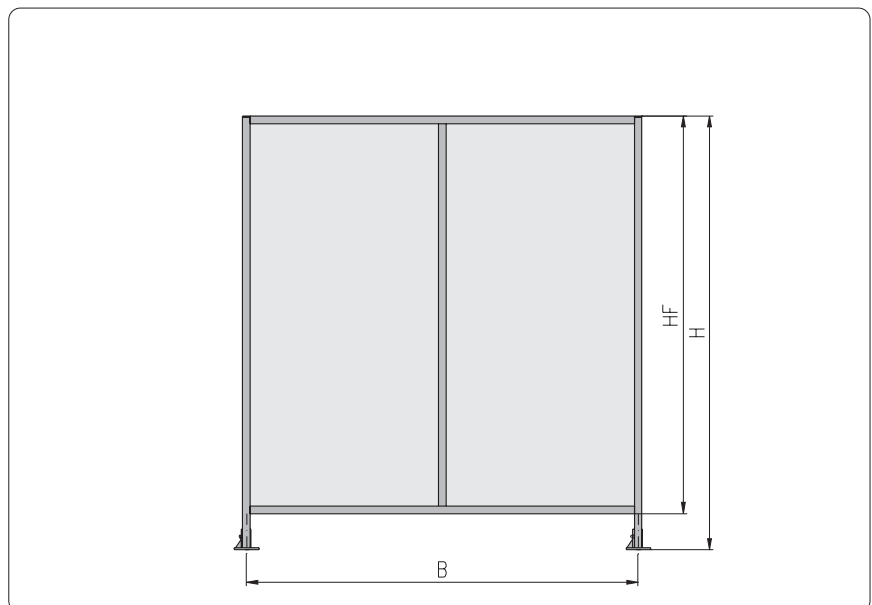
Wire woven mesh	
	
	
<b>with mounting sockets</b>	<b>with wire net profile</b>

Steel welded mesh


<b>with combination profile</b>

without cross strut	with cross strut	divided
		
		
		
		
		

**Single panel element**


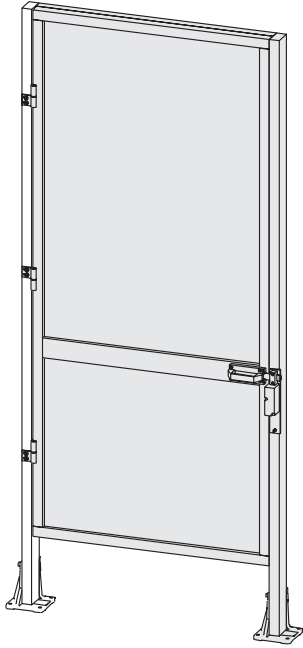
H	HF		B				
	40×40	Panel pr.	500	750	1,000	1,250	1,500
1,800	1,600	1,600	500	750	1,000	1,250	1,500
2,300	2,110	1,995	500	750	1,000	1,250	1,500
2,400	2,110	1,995	500	750	1,000	1,250	1,500

**Double panel element**


H	HF		B				
	40×40	Panel pr.	1,500	1,750	2,000	2,500	3,000
1,800	1,600	1,600	1,500	1,750	2,000	2,500	3,000
2,300	2,110	1,995	1,500	1,750	2,000	2,500	3,000
2,400	2,110	1,995	1,500	1,750	2,000	2,500	3,000

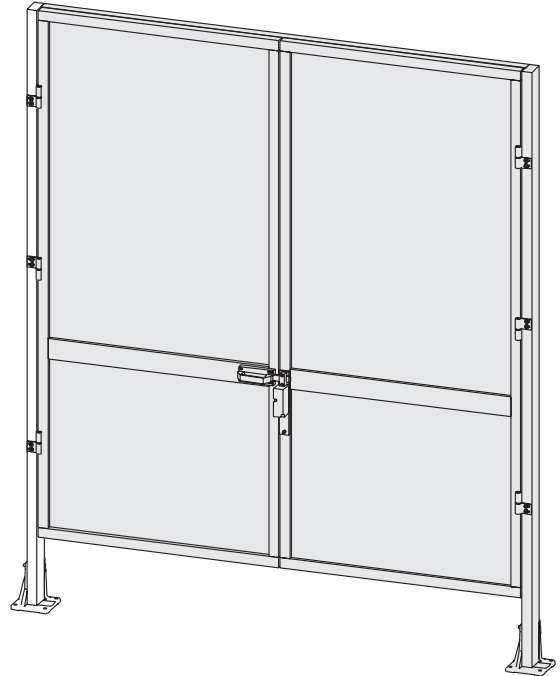
**Single hinged door**

Panel element mounted in slot



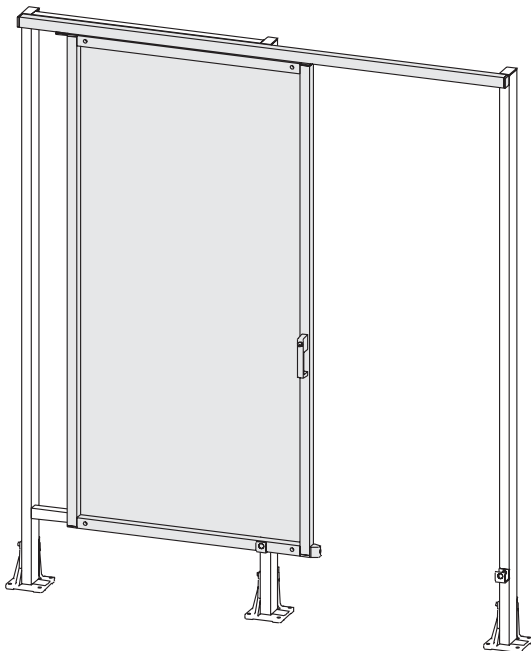
**Double hinged door**

Panel element mounted in slot



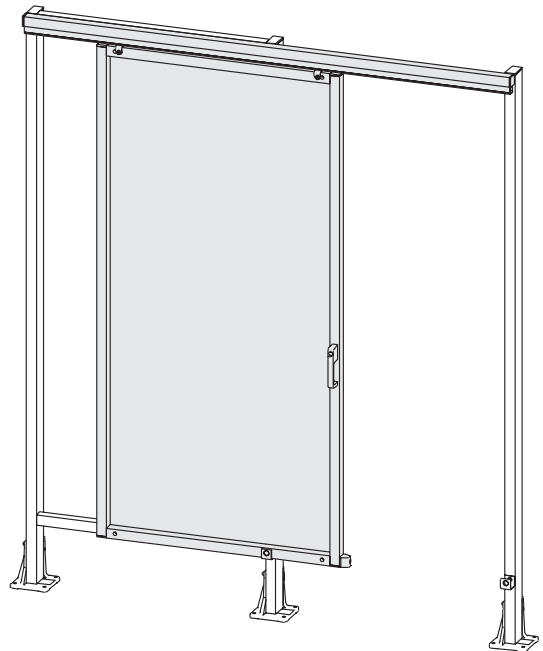
**Sliding door**

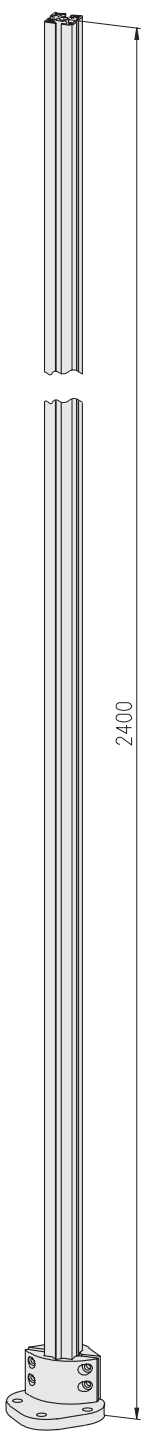
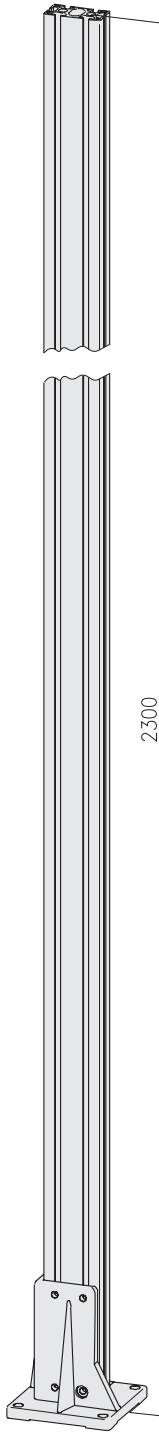
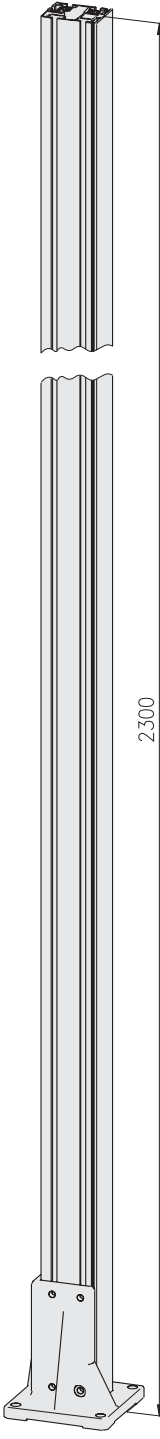
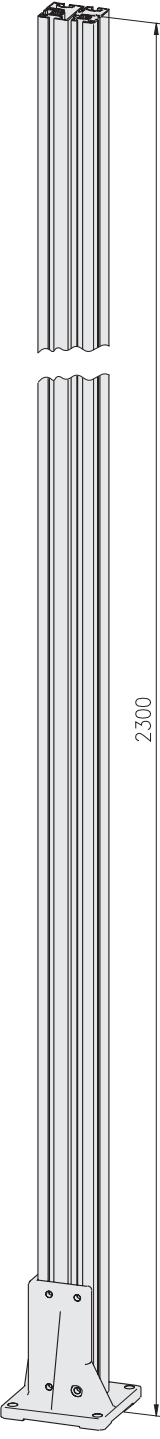
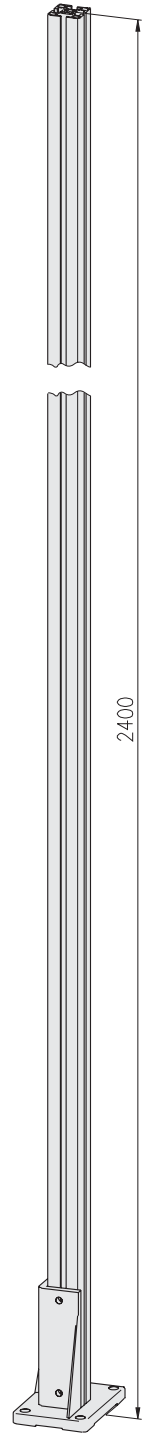
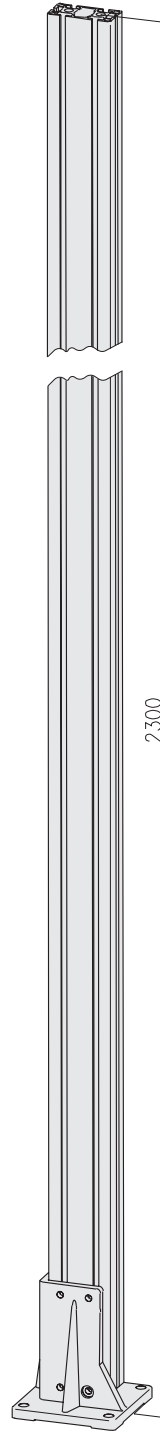
With sliding blocks

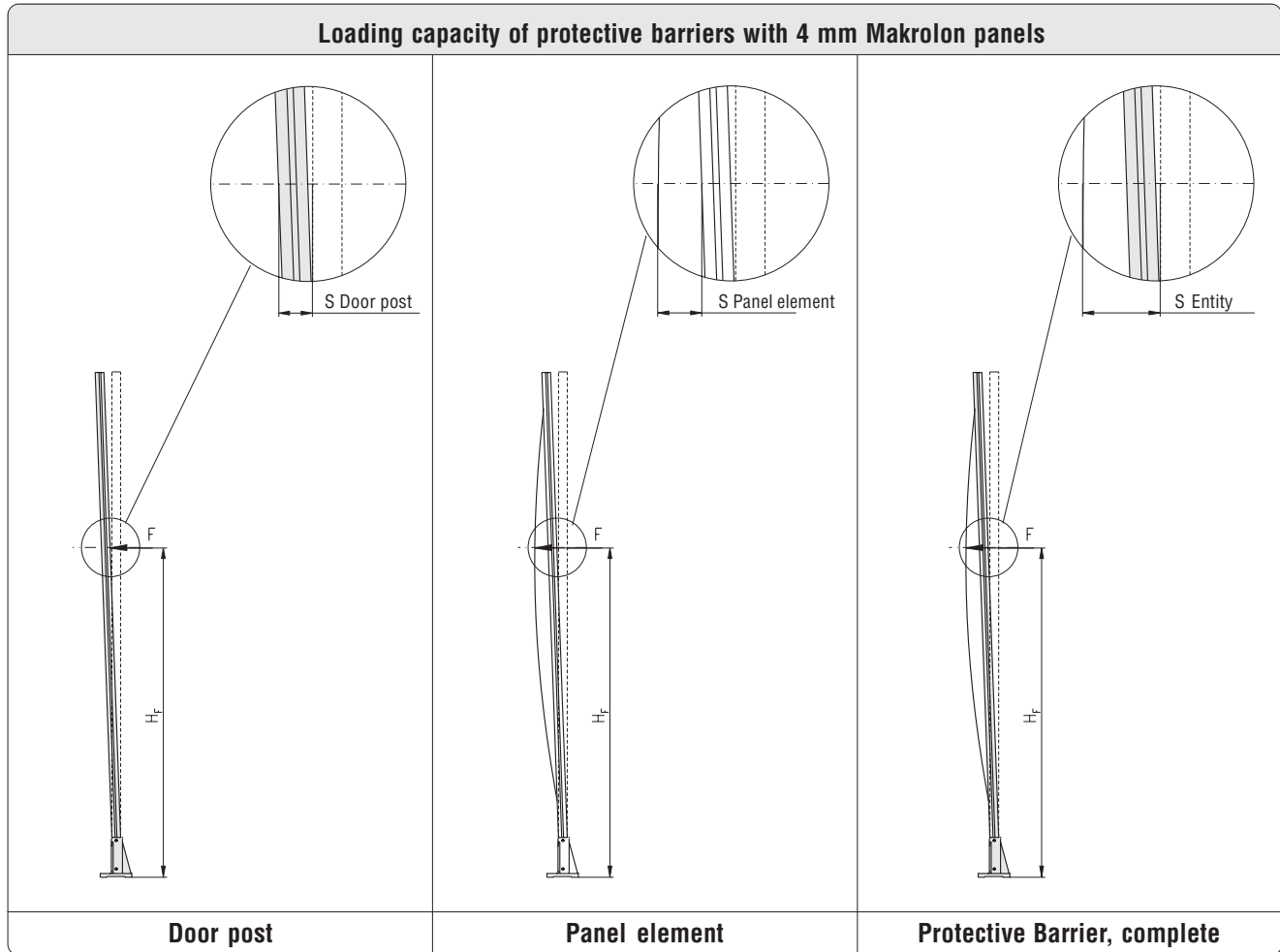


**Sliding door**

With runner

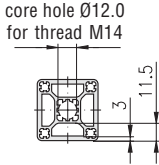
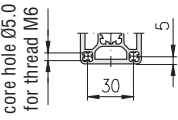

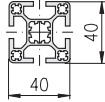
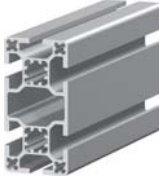
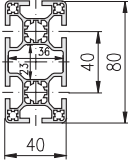


Profile 40x40	Profile 40x80	Panel-Profile 60x80, 5E	Panel-Profile 60x80, 6E	Profile 45x45	Profile 45x90
 <p style="text-align: center;">2400</p>	 <p style="text-align: center;">2300</p>	 <p style="text-align: center;">2300</p>	 <p style="text-align: center;">2300</p>	 <p style="text-align: center;">2400</p>	 <p style="text-align: center;">2300</p>

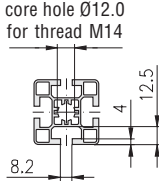
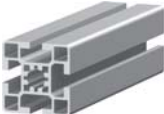
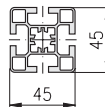
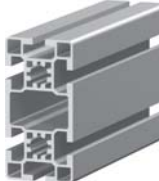
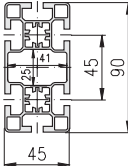


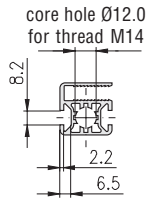

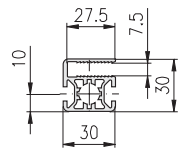
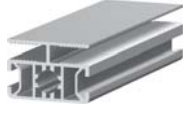
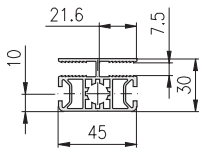
		<b>F in N</b>							
		100	150	300	450	600	1,000	1,500	2,000
<b>Door post</b>		<b>S in mm</b>							
	$H_f$								
Door post: Profile 40×80, 6E, LP Length: 2,300 mm	1,000	1.00	1.50	3.10	4.80	6.40	9.90	15.30	
Foot: 1.44.84040080R, without M14×30	1,500	3.00	4.60	9.90	14.80	19.90			
Door post: Profile 60×80, 5E, angle, P, LP Length: 2,300 mm	1,000	0.70	1.15	2.50	3.90	5.25	9.00	13.30	
Foot: 1.44.84040080R, without M14×30	1,500	2.45	4.00	8.35	12.45	16.90			
<b>Protective Barrier, complete</b>		<b>S in mm</b>							
	$H_f = 1,500$								
Variation: Fixed frame, Profile 40×40, 4E, LP	Panel element	30.00	37.40	48.80	58.60	64.80	82.20	98.30	115.10
Door post: Profile 40×80, 6E, LP, without support	Door post	1.10	2.00	4.50	7.00	9.20	15.80	23.90	33.60
Foot: 1.44.84040080R, without M14×30	Entity	31.10	39.40	53.30	65.60	74.00	98.00	122.20	148.70
Panel element: Makrolon 4 mm, 1,230×2,050 mm									
Mounting: Spline profile									
Variation: Fixed frame, Panel pr. 40×40, 3E, LP	Panel element	34.80	39.20	48.40	54.35	60.00	73.10	84.10	93.70
Door post: Panel profile 60×80, 5E, angle, P, LP, without support	Door post	1.50	2.90	4.80	6.75	8.50	16.10	24.30	29.00
Foot: 1.44.84040080R, without M14×30	Entity	36.30	42.10	53.20	61.10	68.50	89.20	108.40	122.70
Panel element: Makrolon 4 mm, 1,230×2,050 mm									
Mounting: Panel slot, slot depth 27.5 mm									



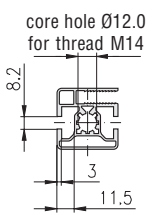

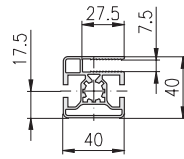
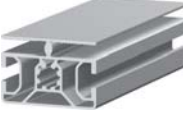
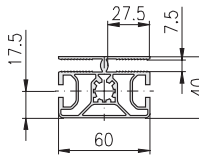
light				
 	 	 		
Description	Profile 40×40, 4E, LP	Profile 40×80, 6E, LP		
bar, 6 m	1.11.040040.43LP.60	1.11.040080.64LP.60		
packing unit (number)	1.11.040040.43LP.61 (8)	1.11.040080.64LP.61 (4)		
moment of inertia cm <sup>4</sup>	$I_x = 9.9$ $I_y = 9.9$	$I_x = 62.7$ $I_y = 17.7$		
moment of resistance cm <sup>3</sup>	$W_x = 4.9$ $W_y = 4.9$	$W_x = 15.6$ $W_y = 8.8$		
weight kg/m	$G = 1.5$	$G = 2.5$		

**Profile group 45 mm, E4-slot, P**

light				
	 	 		
Description	Profile 45×45, 4E, LP	Profile 45×90, 6E, LP		
bar, 6 m	1.11.045045.43LP.60	1.11.045090.64LP.60		
packing unit (number)	1.11.045045.43LP.61 (8)	1.11.045090.64LP.61 (4)		
moment of inertia cm <sup>4</sup>	$I_x = 13.5$ $I_y = 13.5$	$I_x = 98.0$ $I_y = 27.5$		
moment of resistance cm <sup>3</sup>	$W_x = 6.0$ $W_y = 6.0$	$W_x = 21.8$ $W_y = 12.2$		
weight kg/m	$G = 1.9$	$G = 3.3$		

light				
	 	 		
Description	30×30, 2F, WG, LP 7,5	30×45, 2F, WG, LP 7,5		
bar, 6 m	1.155.3030.23LP75.60	1.155.3045.24LP75.60		
packing unit (number)	1.155.3030.23LP75.61(10)	1.155.3045.24LP75.61(8)		
moment of inertia cm <sup>4</sup>	$I_x = 2.6$ $I_y = 3.2$	$I_x = 4.3$ $I_y = 7.4$		
moment of resistance cm <sup>3</sup>	$W_x = 1.7$ $W_y = 2.1$	$W_x = 2.9$ $W_y = 3.3$		
weight kg/m	$G = 0.86$	$G = 1.15$		

**Wire net profiles 40, E3-slot, P**

light				
	 	 		
Description	40×40, 2E, WG, LP 7,5	40×60, 2E, WG, LP 7,5		
bar, 6 m	1.155.4040.23LP75.60	1.155.4060.24LP75.60		
packing unit (number)	1.155.4040.23LP75.61(8)	1.155.4060.24LP75.61(8)		
moment of inertia cm <sup>4</sup>	$I_x = 7.5$ $I_y = 8.2$	$I_x = 12.0$ $I_y = 22.7$		
moment of resistance cm <sup>3</sup>	$W_x = 3.8$ $W_y = 4.1$	$W_x = 6.0$ $W_y = 7.6$		
weight kg/m	$G = 1.35$	$G = 1.95$		

light						
Description		40x40, 3E, Panel, LP 4	40x60, 3E, Panel, LP 4	60x80, 5E, Panel, LP 4	60x80, 6E, Panel, LP 4	
bar, 6 m		1.151.4040.33LP40.60	1.151.4060.34LP40.60	1.151.6080.54LP40.60	1.151.6080.64LP40.60	
packing unit (number)		1.151.4040.33LP40.61(8)	1.151.4060.34LP40.61(8)	1.151.6080.54LP40.61(4)	1.151.6080.64LP40.61(4)	
moment of inertia cm <sup>4</sup>	$I_x = 10.2$	$I_y = 8.7$	$I_x = 14.8$	$I_y = 26.3$	$I_x = 100.4$	$I_y = 50.4$
moment of resistance cm <sup>3</sup>	$W_x = 5.1$	$W_y = 4.3$	$W_x = 7.4$	$W_y = 8.8$	$W_x = 25.1$	$W_y = 16.8$
weight kg/m	$G = 1.65$		$G = 2.4$	$G = 3.8$	$G = 3.7$	

## Profile for door stop

	Assembly drawing	Assembly drawing			
Profile 20x30, 1F, LP					
1.11.020030.14LP.60					
1.11.020030.14LP.61(10)					
$I_x = 2.2$	$I_y = 1.4$	$I_x = 113.0$	$I_y = 64.0$	$I_x = 89.2$	$I_y = 53.3$
$W_x = 1.5$	$W_y = 1.4$	$W_x = 28.5$	$W_y = 21.3$	$W_x = 22.3$	$W_y = 17.7$
$G = 0.7$		$G = 4.5$		$G = 4.4$	

### Imprint

Subject to technical modification.

All rights reserved.

Copying - also in parts - only allowed by written consent.

© MayTec Aluminium Systemtechnik GmbH,

D - 85221 Dachau, 2004

The key ...

to success



30% - 600% more flexible design

20% - 50% more economical machining

60% - 340% quicker assembly

100% - 260% stronger connection

more than 60 service locations

### **Australia**

**MayTec Australia P/L**  
Unit 1, 8 Prosperity Parade  
Warriewood, NSW 2102

country code: +61  
phone (0) 2 / 9999 0890  
fax (0) 2 / 9979 8703  
e-mail: [info@maytec.com.au](mailto:info@maytec.com.au)  
<http://www.maytec.com.au>

### **Germany**

**MayTec Aluminium**  
Systemtechnik GmbH  
Kopernikusstraße 20  
D - 85221 Dachau

country code: +49  
phone (0) 8131 / 33 36 - 0  
fax (0) 8131 / 33 36 - 119  
e-mail: [mail@maytec.de](mailto:mail@maytec.de)  
<http://www.maytec.de>

### **USA**

**MayTec Inc.**  
901 Wesemann Drive  
West Dundee, IL 60118

country code: +1  
phone 847 - 429 - 0321  
fax 847 - 429 - 0460  
e-mail: [mail@maytecinc.com](mailto:mail@maytecinc.com)  
<http://www.maytecinc.com>