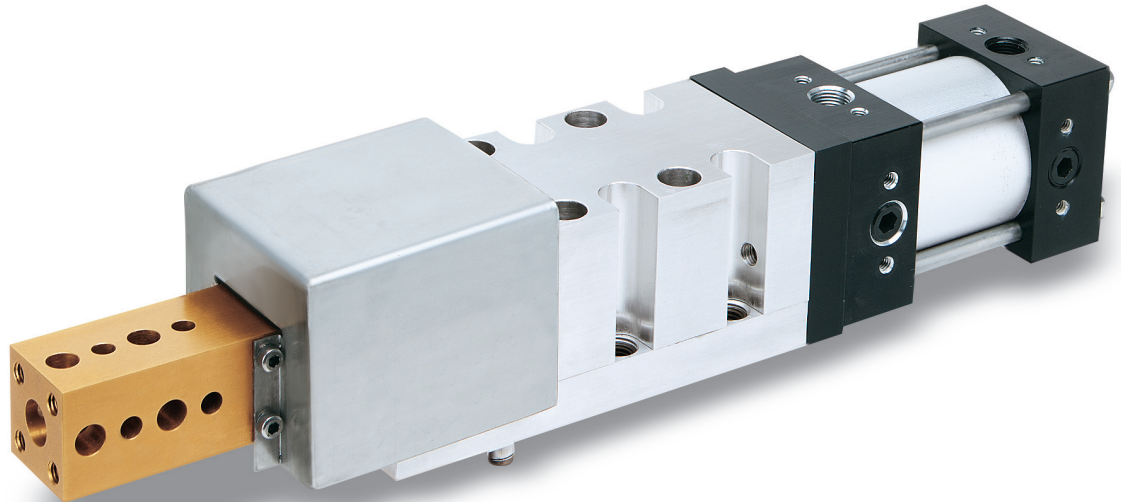




ITT

Automotive Pin-Act

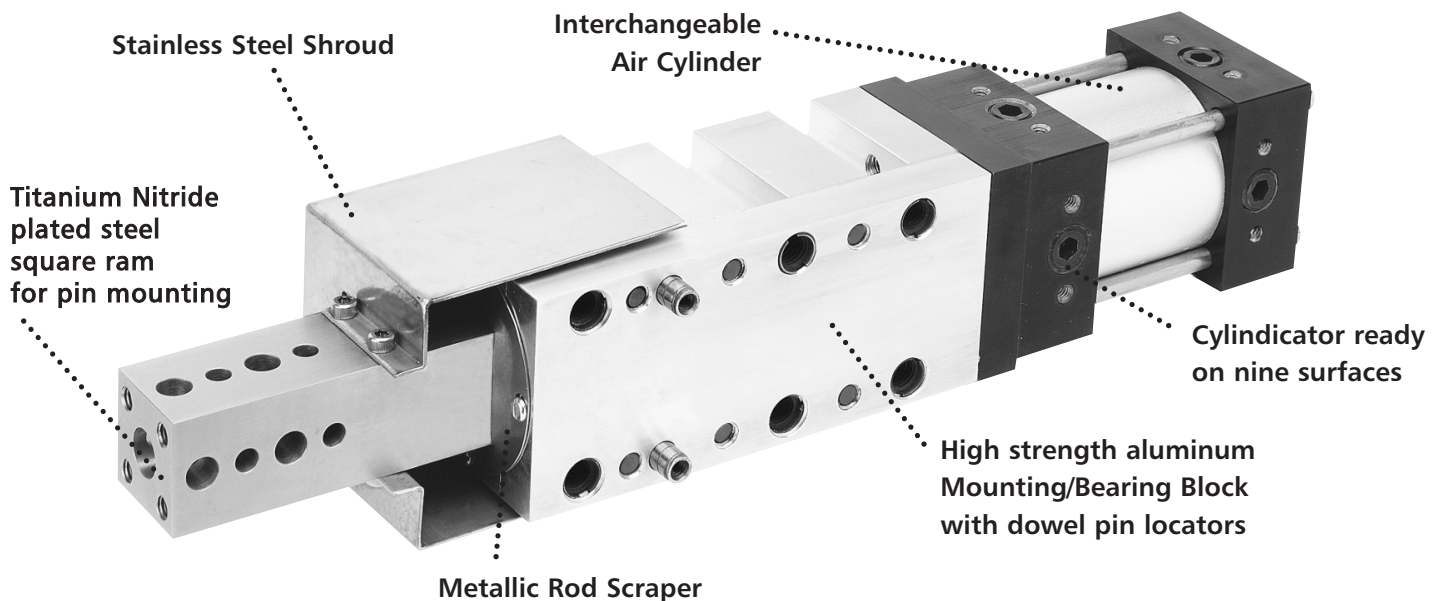


Engineered for life

Product Overview

Automotive Pin-Act Features:

Tie Rod standard cylinders - cylindicator ready.
Shrouds - Stainless Steel shrouds are available as an option to help prevent contaminant build up in machining and welding applications.
Rap - The rap coupler feature allows the cylinder to begin to move prior to the ram. This results in an impact as the coupler reaches its limit of travel. This impact can be beneficial if the potential of a binding condition exists. The units can be ordered without the rap feature. NOTE: The rap feature reduces the nominal stroke of the APA 15 and APA 25 by 2mm and the APA 40 by 3mm (cylinder stroke accuracy is +/- 0,20mm).
Metallic Rod Scraper - Standard
Pin-Act Mounting <ul style="list-style-type: none">- Using SHCS - 6 locations are provided on the Mounting/Bearing Block.- 6 threaded holes are provided on the underside of the Mounting/Bearing Block.- Two Dowel Locators are provided.
Ram Mounting <ul style="list-style-type: none">- Standard NAAMS hole pattern.- 11mm thru holes can be tapped and fitted with thread inserts (M10 x 25mm).
Repeatability - within +/- .002" [0,05mm] stroke to stroke is possible.
Deflection - (See page 7).
Wear - Variance in position over time. Wear at full extension and maximum load at 1 million cycles .002" [0,05mm] stroke to stroke is possible.



APA-25-25-A-SHD

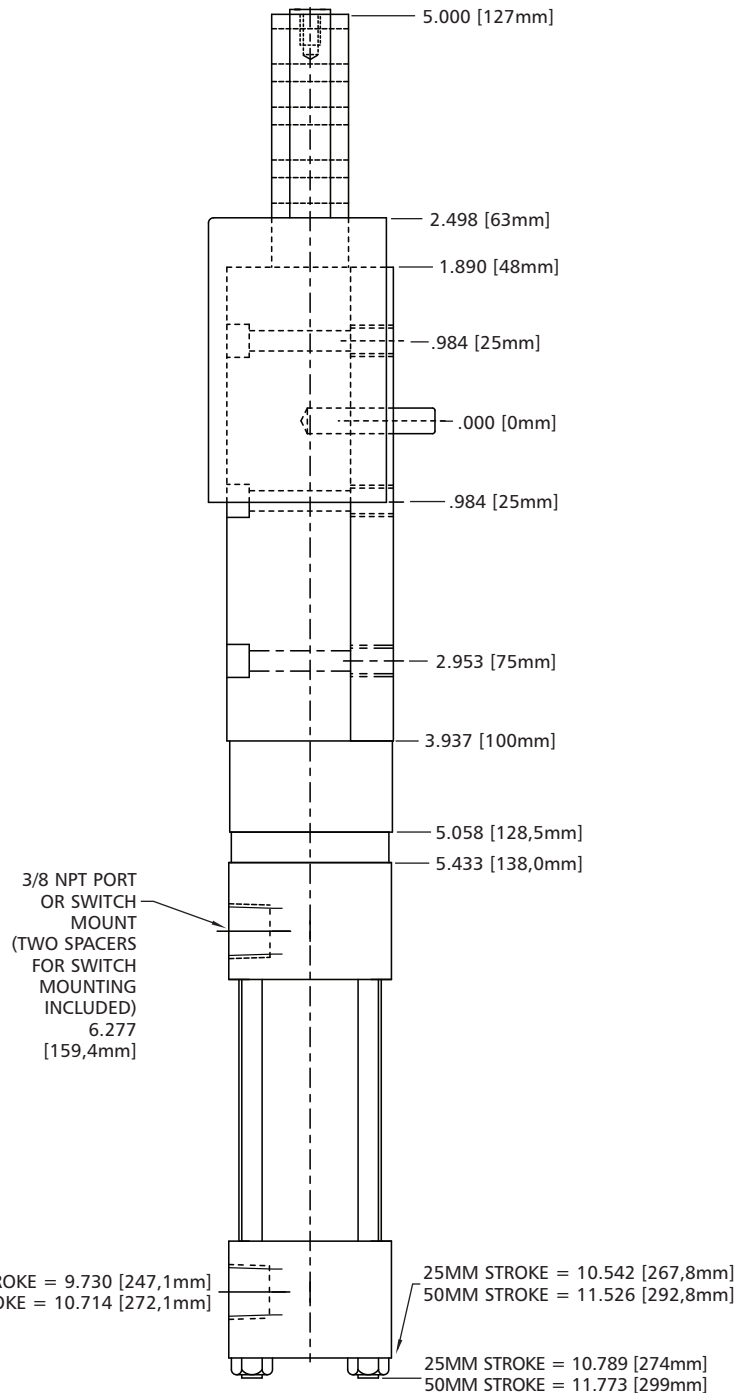
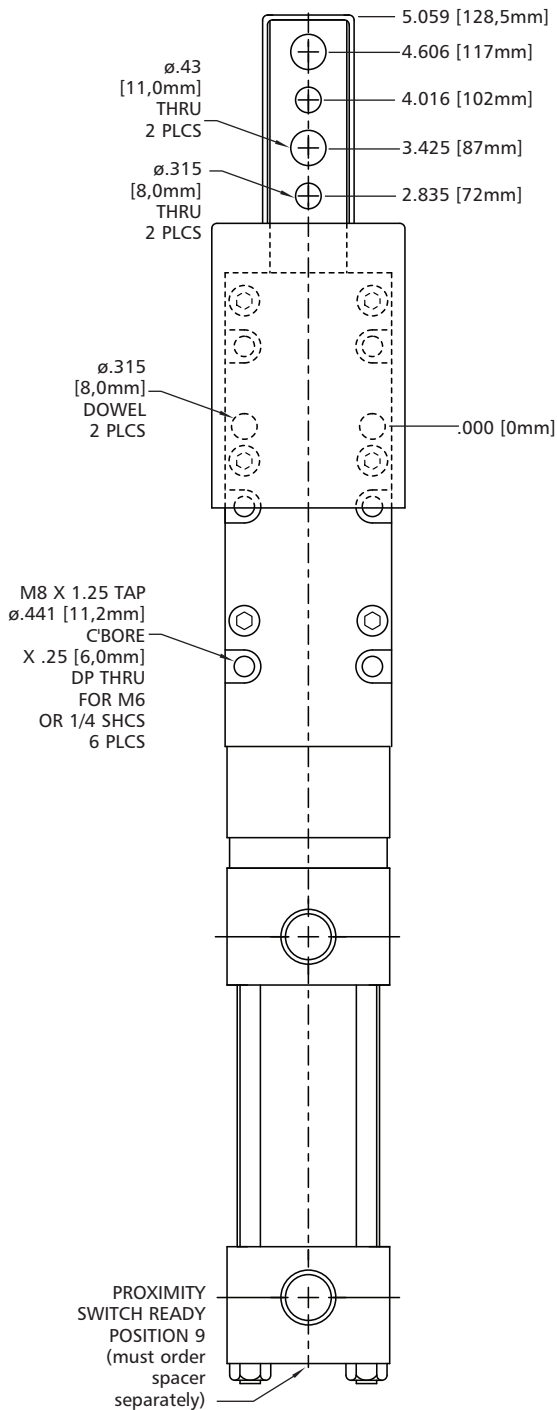
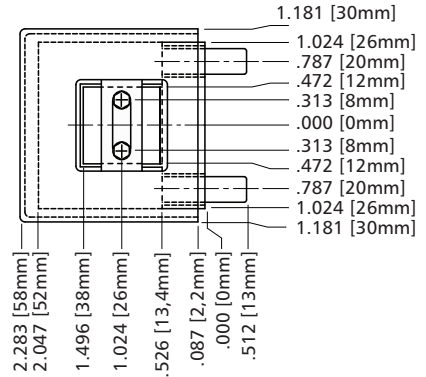
NAAMS

1 1/2" Bore Automotive Pin-Act

How to Order 1 1/2" Bore

Model	Bore	Stroke (Millimeters)	Design Code	Options
APA	15	25 50	A	NR* (No Rap) S9 (Pos. 9 Switch Spacer) SHD (Shroud)

*RAP Adapter Standard
(RAP reduces stroke by 2mm)

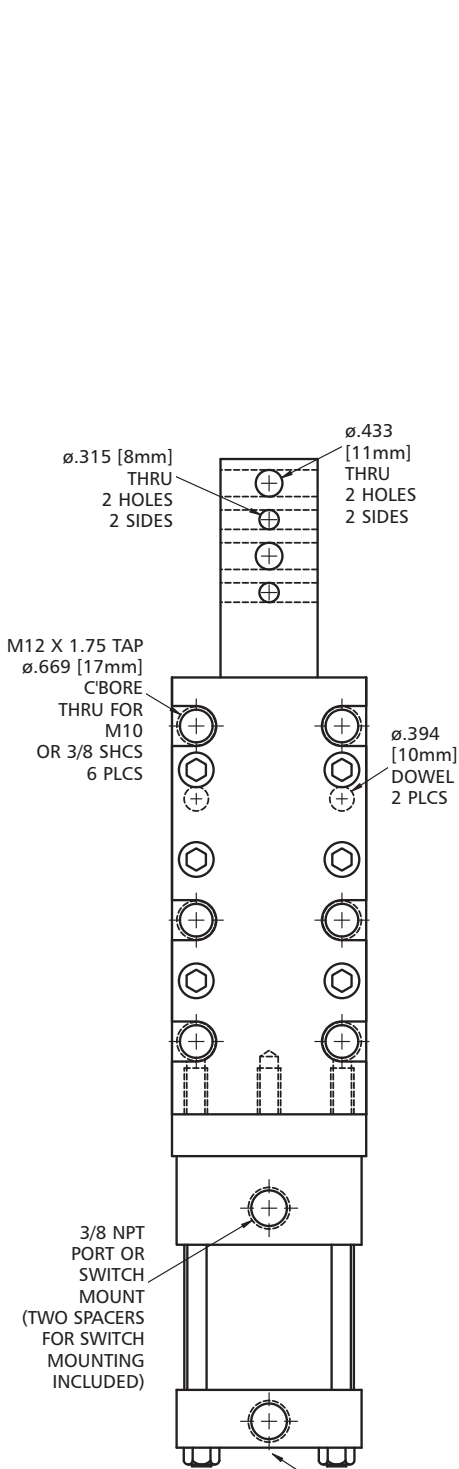


2 1/2" Bore Automotive Pin-Act

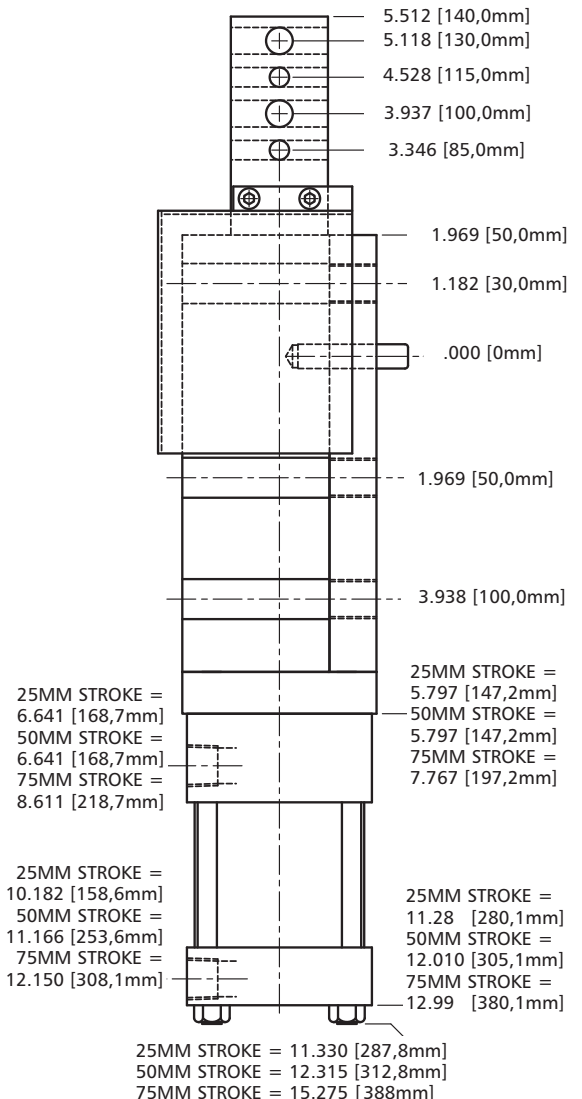
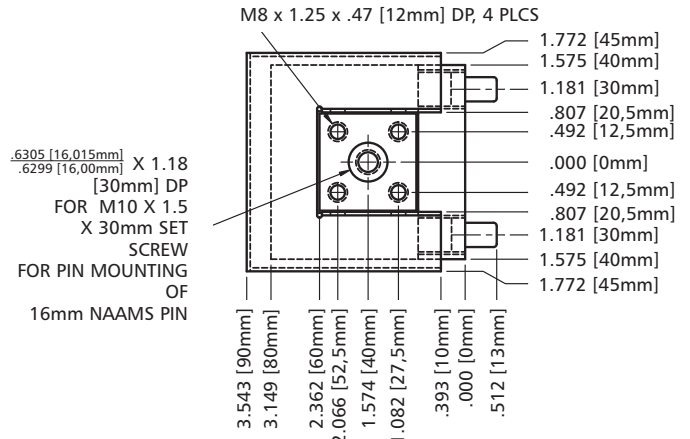
How to Order 2 1/2" Bore

Model	Bore	Stroke (Millimeters)	Design Code	Options
APA	25	25 50 75	A	NR* (No Rap) S9 (Pos. 9 Switch Spacer) SHD (Shroud)

***RAP Adapter Standard (RAP reduces stroke by 2mm)**



PROXIMITY SWITCH READY POSITION 9 (must order spacer separately)

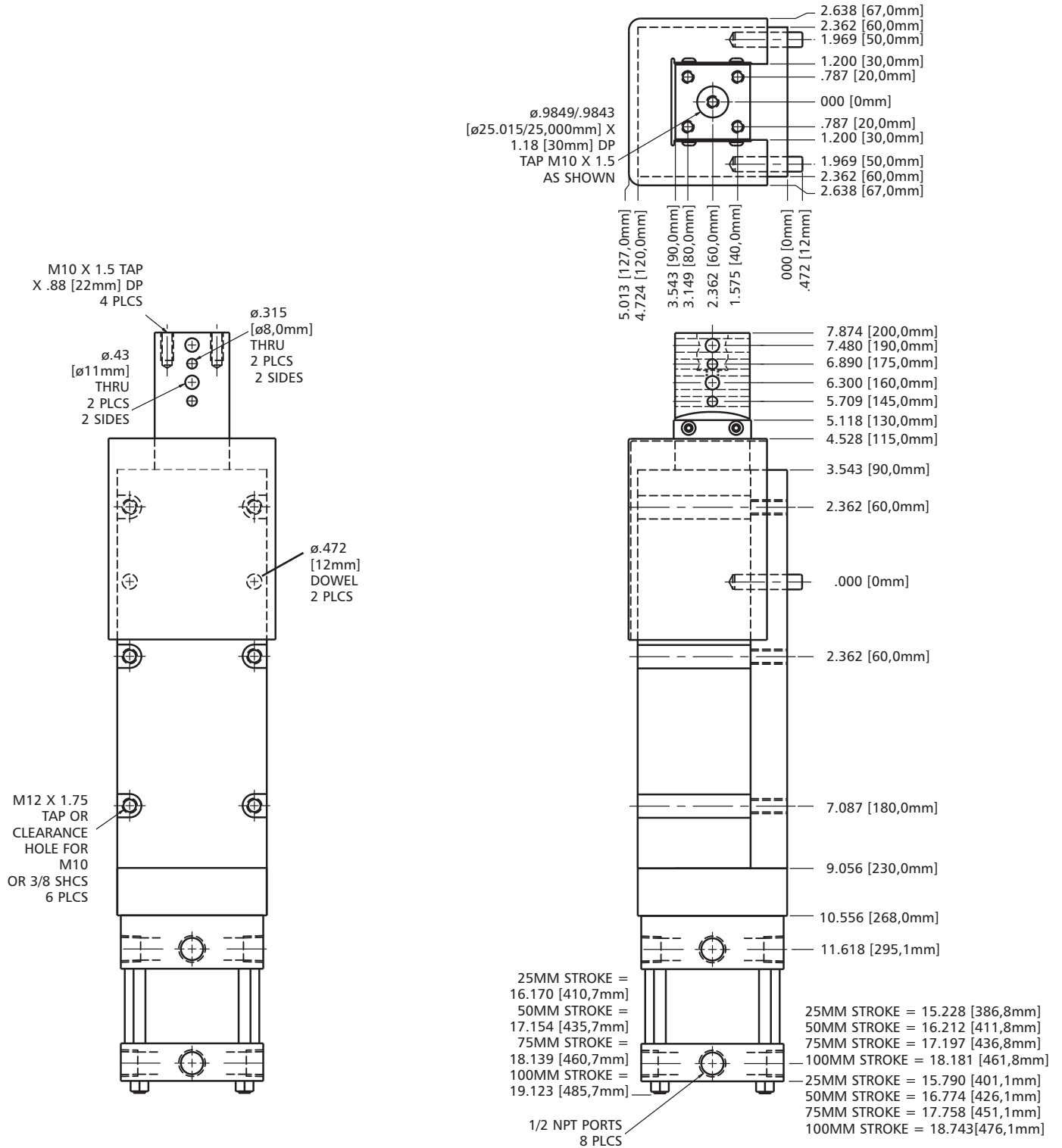


4" Bore Automotive Pin-Act

How to Order 4" Bore

Model	Bore	Stroke (Millimeters)	Design Code	Options
APA	40	25 50 75 100	A	NR* (No Rap) SHD (Shroud)

***RAP Adapter Standard (RAP reduces stroke by 3mm)**



Side by Side Pin-Act - NAAMS "L" Block Pin-Act

"L" Block configuration accommodates tight mounting positions.

Tie Rod standard cylinders - cylinder ready.

Shrouds - Stainless Steel shrouds are available as an option to help prevent contaminant build up in machining and welding applications.

Rap - The rap coupler feature allows the cylinder to begin to move prior to the ram. This results in an impact as the coupler reaches its limit of travel. This impact can be beneficial if the potential of a binding condition exists. The units can be ordered without the rap feature.

NOTE: The rap feature reduces the nominal stroke of the APA 15 and APA 25 by 2mm and the APA 40 by 3mm (cylinder stroke accuracy is +/- 0.20mm).

Metallic Rod Scraper - Standard

Pin-Act Mounting

- Using SHCS - 6 locations are provided on the Mounting/Bearing Block.
- 6 threaded holes are provided on the underside of the Mounting/Bearing Block.
- Two Dowel Locators are provided.

Ram Mounting

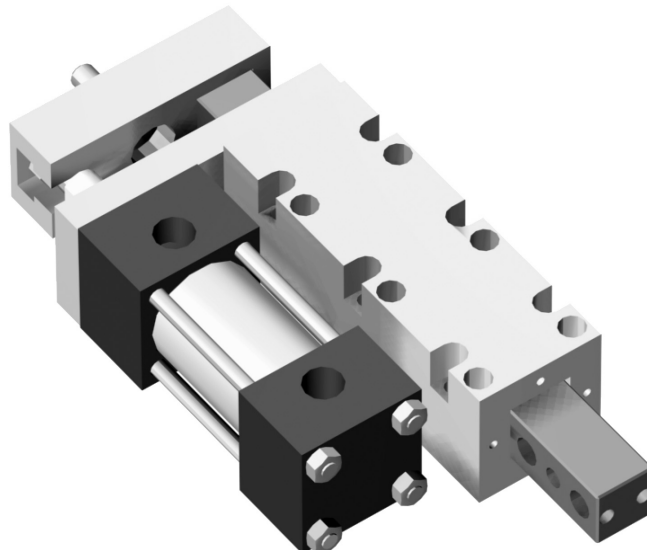
- Standard NAAMS hole pattern.
- 11mm thru holes can be tapped and fitted with thread inserts (M10 x 25mm).

Repeatability - within +/- .002" [0,05mm] stroke to stroke is possible.

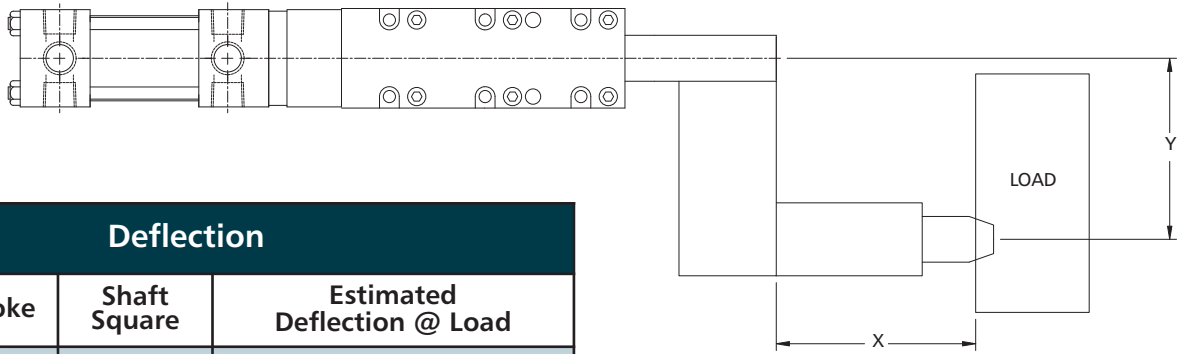
Deflection - (See page 7).

Wear - Variance in position over time. Wear at full extension and maximum load at 1 million cycles .002" [0,05mm] stroke to stroke is possible.

Consult Factory for ordering information on side by side units.



Offset Pin Deflection



Deflection			
Bore Size	Stroke	Shaft Square	Estimated Deflection @ Load
1 1/2"	25mm	24mm	+/- .003 @ 50 LBS.
	50mm	24mm	+/- .004 @ 50 LBS.
2 1/2"	25mm	40mm	+/- .003 @ 100 LBS.
	50mm	40mm	+/- .004 @ 100 LBS.
	75mm	40mm	+/- .005 @ 100 LBS.
4	25mm	60mm	+/- .003 @ 250 LBS.
	50mm	60mm	+/- .003 @ 250 LBS.
	75mm	60mm	+/- .004 @ 250 LBS.
	100mm	60mm	+/- .005 @ 250 LBS.

Dimensional Data			
Bore Size	Load (lbs.)	X (in.)	Y (in.)
1 1/2"	50	4	4
2 1/2"	100	6	6
4	250	8	8

Special Conditions and Limited Warranty

Determination of the suitability of any information or product for the application contemplated by any user or the manner of that use is the sole responsibility of the user.

Compact Automation Products, LLC reserves the right to improve or change designs without notice.

All orders are subject to acceptance by the factory sales department.

Compact Automation Products, LLC agrees to repair or replace to the original purchaser any standard parts or products for a period of 12 months from date of shipment which Compact Automation Products, LLC determines upon inspection to be defective in workmanship or material. Wear components including but not limited to seals and bearings are excluded from this warranty.

Under no circumstance may merchandise be returned without written authorization from the factory.

This warranty is void in the event the product has been tampered with, altered, or serviced by unauthorized personnel.

Compact Automation Products, LLC's total responsibility for any claims, damages, losses or liabilities related to the product covered thereunder shall not exceed the purchase price of such product. In no event shall Compact Automation Products, LLC be liable for any special, indirect, incidental or consequential damages of any character, including but not limited to loss of use of productive facilities or equipment, lost profit, property damage, transportation, installation or removal or lost production whether suffered by purchaser or third party. Compact Automation Products, LLC disclaims all liability for any and all cost, claims demands, charges, expenses, and other damages, either direct or indirect, incident to all property damage arising out of any cause of action based on strict liability. This warranty gives you specific legal rights and you may have other rights, which vary from state to state.

Compact Automation Products

105 Commerce Way
Westminster, SC 29693

p. 864 647 9521

f. 864 647 9574

www.itt.com

www.compactautomation.com

