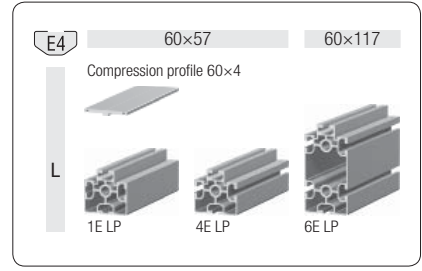
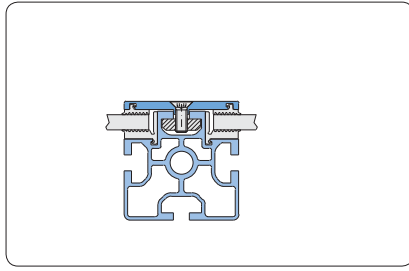
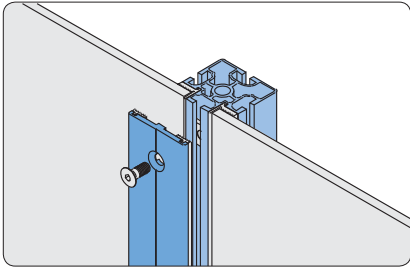


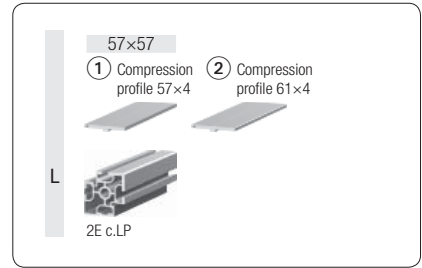
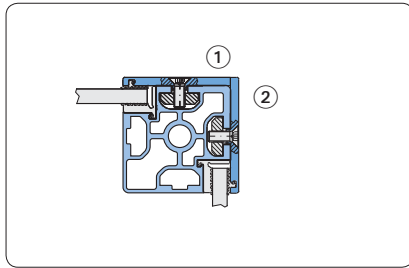
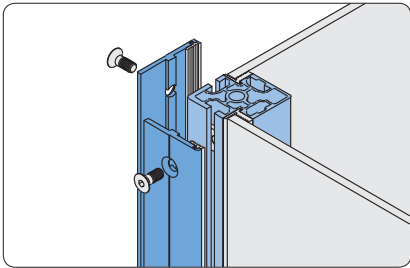
» Glass Panel Profiles

English
1/2015

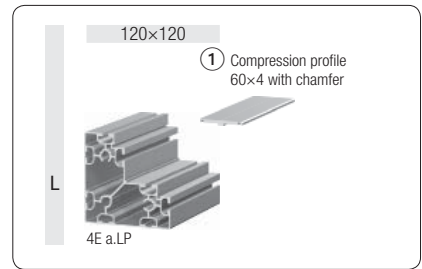
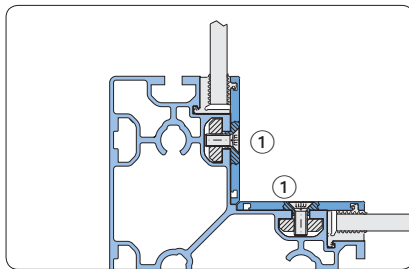
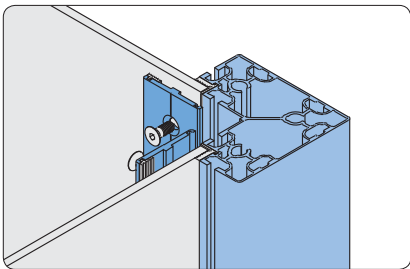
 MayTec®



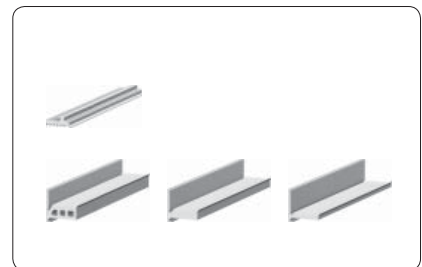
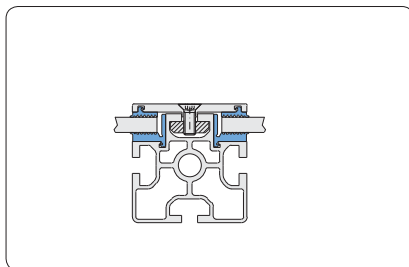
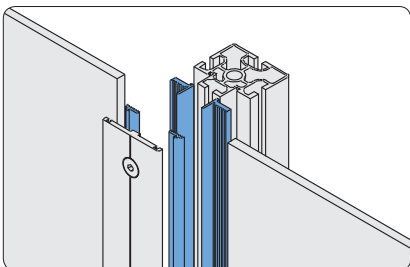
↔ 3, 4



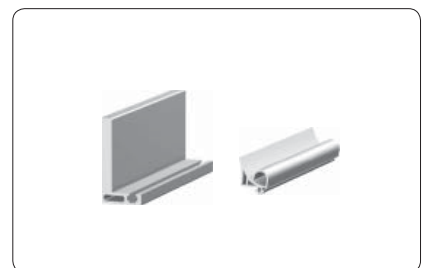
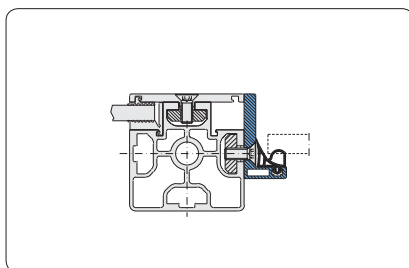
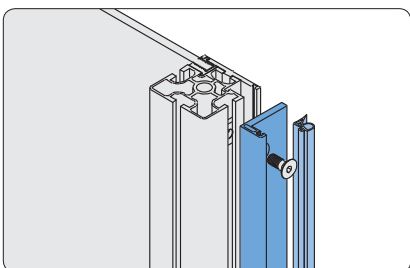
↔ 3, 4



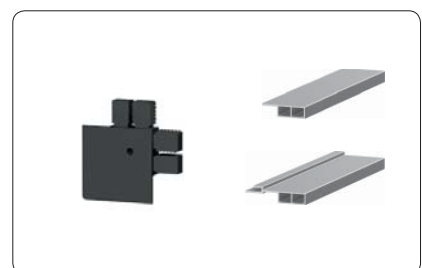
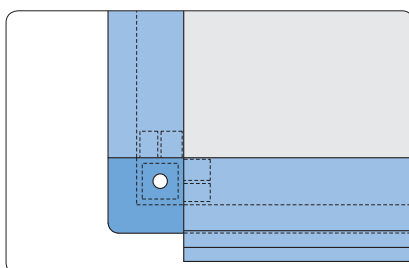
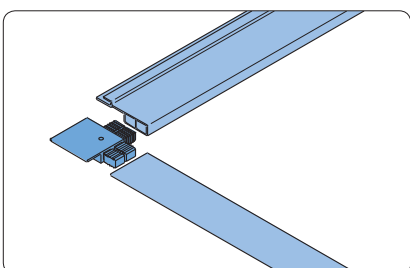
↔ 3, 4



↔ 5

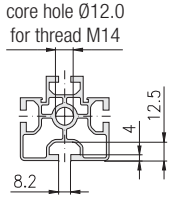
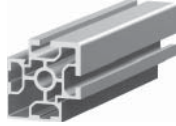
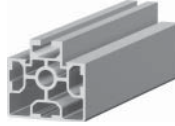
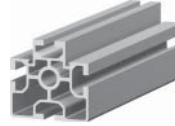
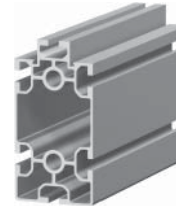
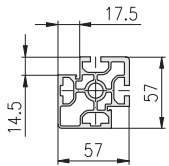
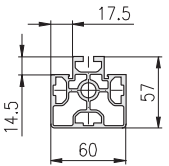
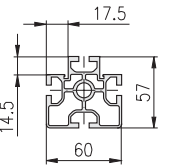
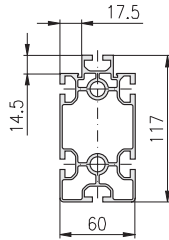


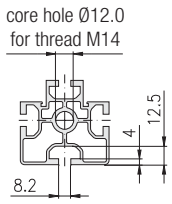
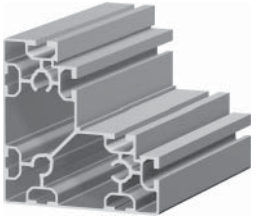
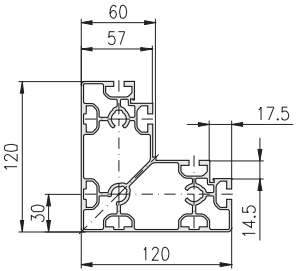
↔ 4, 6




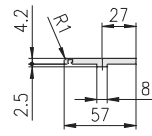
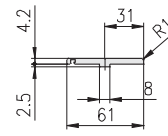
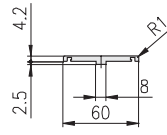



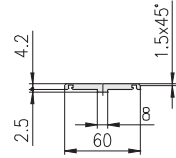
↔ 4, 7


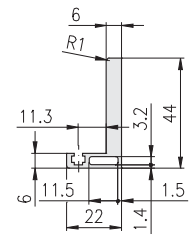
Ceiling frame profile with corner piece 40x10



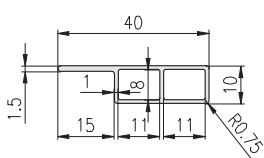
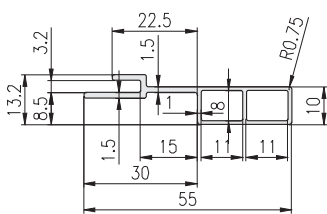
light				
				
				
Description	Glass Panel Profile 57×57, 2E, corner, LP	Glass Panel Profile 60×57, 1E, LP	Glass Panel Profile 60×57, 4E, LP	Glass Panel Profile 60×117, 6E, LP
bar, 6 m	10.11.057057.22LP.60	10.11.060057.14LP.60	10.11.060057.44LP.60	10.11.060117.64LP.60
packing unit (number)	10.11.057057.22LP.61 (6)	10.11.060057.14LP.61 (6)	10.11.060057.44LP.61 (6)	10.11.060117.64LP.61 (3)
moment of inertia cm ⁴	$I_x = 36.2$ $I_y = 36.2$	$I_x = 26.7$ $I_y = 31.5$	$I_x = 25.7$ $I_y = 29.0$	$I_x = 219.7$ $I_y = 57.4$
moment of resistance cm ³	$W_x = 12.1$ $W_y = 12.1$	$W_x = 8.9$ $W_y = 10.5$	$W_x = 8.6$ $W_y = 9.7$	$W_x = 39.3$ $W_y = 19.1$
weight kg/m	G = 2.7	G = 2.6	G = 2.5	G = 4.0

light			
			
			
Description	Glass Panel Profile 120×120, 4E, angle, LP		
bar, 6 m	10.11.120120.47LP.60		
packing unit (number)	10.11.120120.47LP.61 (2)		
moment of inertia cm ⁴	$I_x = 210.0$ $I_y = 210.0$		
moment of resistance cm ³	$W_x = 36.2$ $W_y = 36.2$		
weight kg/m	G = 5.7		

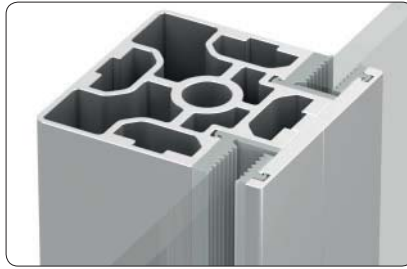
Compression profiles Technical data material: Al Mg Si 0.5 F25 tensile strength: 250 N/mm ² surface: natural anodised				
				
	Description	Compression profile 57×4	Compression profile 61×4	Compression profile 60×4
	bar, 6 m	10.19.1101.5704.60	10.19.1101.6104.60	10.19.1102.6004.60
	cut to length	10.19.1101.5704-A00A00/□□□□mm	10.19.1101.6104-A00A00/□□□□mm	10.19.1102.6004-A00A00/□□□□mm
weight	kg/m G = 0.67	kg/m G = 0.72	kg/m G = 0.68	

Compression profile Technical data material: Al Mg Si 0.5 F25 tensile strength: 250 N/mm ² surface: natural anodised		
		
	Description	Compression profile 60×4 with chamfer
	bar, 6 m	10.19.1102.6004B.60
	cut to length	10.19.1102.6004B-A00A00/□□□□mm
weight	kg/m G = 0.67	

Door stop profile Technical data material: Al Mg Si 0.5 F25 tensile strength: 250 N/mm ² surface: natural anodised		
		
	Description	Door stop profile
	bar, 6 m	10.19.1201.4422.60
	cut to length	10.19.1201.4422-A00A00/□□□□mm
weight	kg/m G = 0.81	

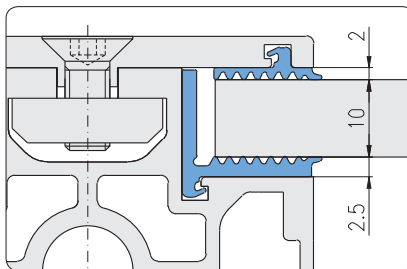
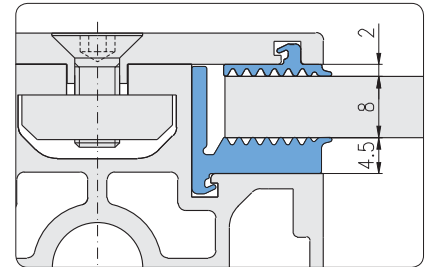
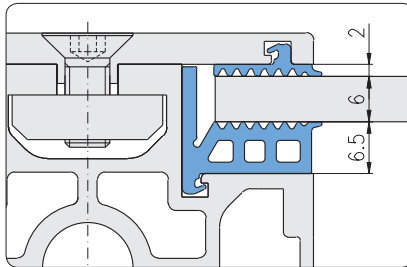
Ceiling frame profiles Technical data material: Al Mg Si 0.5 F25 tensile strength: 250 N/mm ² surface: natural anodised			
			
	Description	Ceiling frame profile Type A 40×10	Ceiling frame profile Type B 55×13
	bar, 6 m	10.19.1424010.60	10.19.1425513.60
	cut to length	10.19.1424010-A00A00/□□□□mm	10.19.1425513-A00A00/□□□□mm
weight	kg/m G = 0.26	kg/m G = 0.37	

Seals



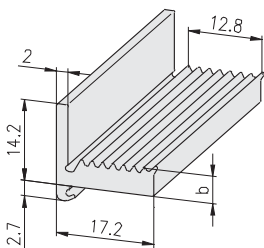
Application




Seals for windows or panel elements



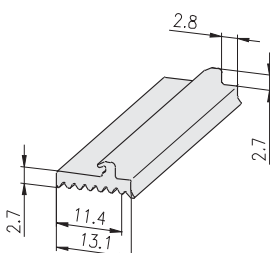
Technical data


- length of ring: 100 m
- material: EPDM, 60° ± 5° Shore A
- free of silicon
- compatible with acrylic glass
- water resistant
- colour: grey, similar to RAL 7035



Description	b	Weight	Article-No.
Seal for panel 6 mm	6.9 ring	15.3 kg/ring	10.41.7106.7035.99
 Seal for panel 6 mm	6.9 cut to length	153 g/m	10.41.7106.7035-A00A00/...
Seal for panel 8 mm	4.8 ring	14.1 kg/ring	10.41.7108.7035.99
 Seal for panel 8 mm	4.8 cut to length	141 g/m	10.41.7108.7035-A00A00/...
Seal for panel 10 mm	2.7 ring	9.3 kg/ring	10.41.7110.7035.99
 Seal for panel 10 mm	2.7 cut to length	93 g/m	10.41.7110.7035-A00A00/...

/... = length in mm



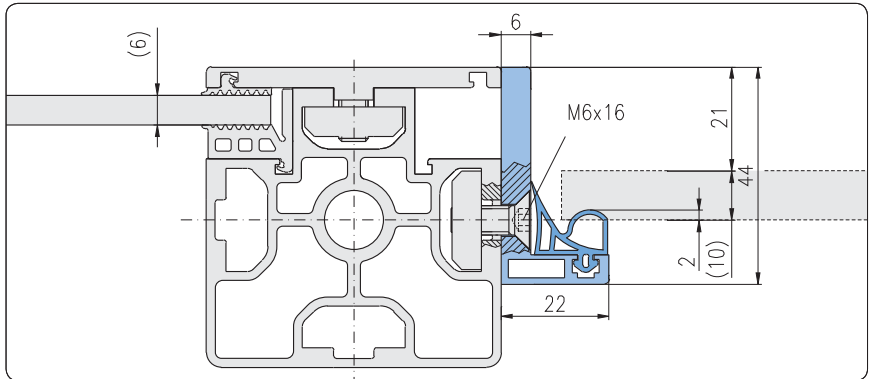
Description	Weight	Article-No.
Seal for compression profile	ring	5.1 kg/ring
 Seal for compression profile	cut to length	51 g/m

/... = length in mm

Door seal

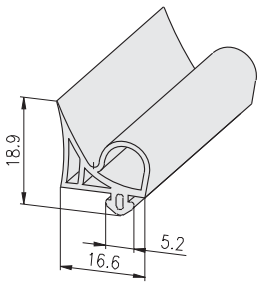


Application
For sealing doors



Technical data

length of ring: 100 m
 material: EPDM, 60° ± 5° Shore A
 • free of silicon
 • compatible with acrylic glass
 • water resistant
 colour: grey, similar to RAL 7035



Description

Weight Article-No.

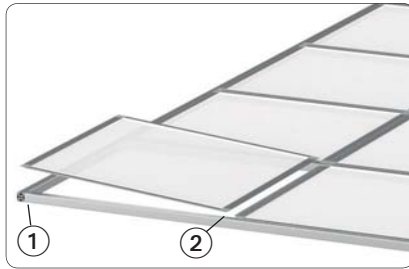
Door seal	ring	11,4 kg/ring	10.41.8115.7035.99
Door seal	cut to length	114 g/m	10.41.8115.7035-A00A00/... /... = length in mm

Corner piece 40×10
for ceiling frame profile

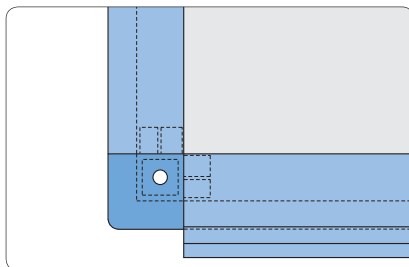
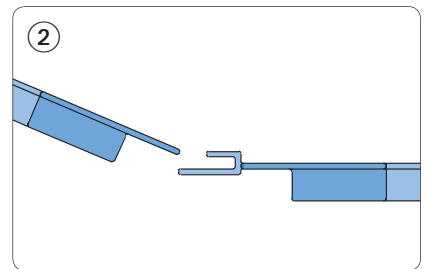
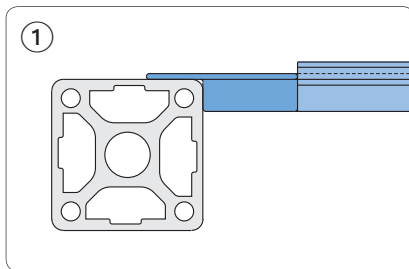


Application

Connection for ceiling frame profile



Ceiling element



Corner piece

Technical data

material: PA - GF

colour: grey, similar to RAL 7035

Description

Corner piece 40×10

Weight

16 g

Article-No.

10.81.24010

The key ...

to success

extremely strong

efficient

functional

Australia

MayTec Australia P/L

Unit 8, 175 James Ruse Drive
Rosehill, NSW 2142

country code: +61
phone (0)2/98989929
fax (0)2/96384086
e-mail: info@maytec.com.au
<http://www.maytec.com.au>

Germany

MayTec Aluminium
Systemtechnik GmbH
Kopernikusstraße 20
D-85221 Dachau

country code: +49
phone (0)8131/3336-0
fax (0)8131/3336-119
e-mail: mail@maytec.de
<http://www.maytec.de>

USA

MayTec Inc.

901 Wesemann Drive
West Dundee, IL 60118

country code: +1
phone 847-429-0321
fax 847-429-0460
e-mail: mail@maytecinc.com
<http://www.maytecinc.com>

MayTec distributor

Imprint

Subject to technical modification.
All rights reserved.

Copying - also in parts - only allowed by
written consent.

© MayTec Aluminium Systemtechnik GmbH,
Germany, D - 85221 Dachau, 2014