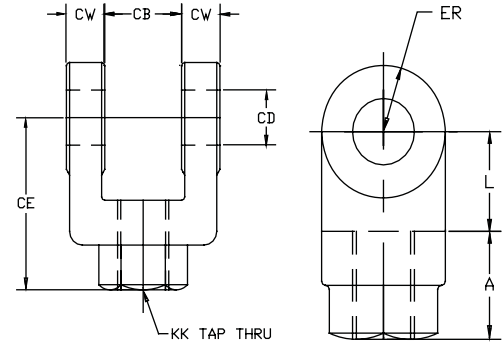


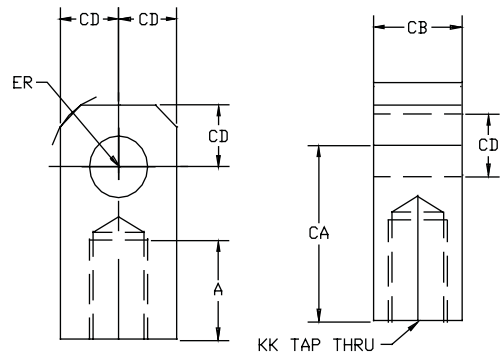
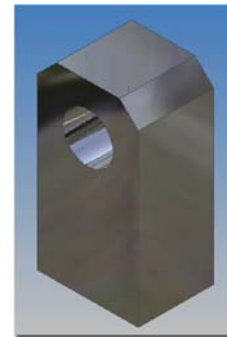
Rod Clevis

Part No	Rod Dia	KK	CD	CB	CW	CE	A	ER
RC044	5/8	7/16-20	0.50	0.77	0.50	1.50	0.75	0.50
RC050	5/8	1/2-20	0.50	0.77	0.50	1.50	0.75	0.50
RC075	1	3/4-16	0.75	1.27	0.63	2.38	1.13	0.75
RC087	1	7/8-14	1.00	1.52	0.75	2.94	1.63	1.00
RC100	1 3/8	1-14	1.00	1.52	0.75	3.13	1.63	1.00
RC125	1 3/8	1 1/4-12	1.38	2.03	1.00	4.13	2.00	1.38
RC150	2	1 1/2-12	1.75	2.53	1.25	4.50	2.25	1.75
RC175	2	1 3/4-12	2.00	2.53	1.25	5.50	3.00	2.00
RC187	2 1/2	1 7/8-12	2.00	2.53	1.25	5.50	3.00	2.00
RC225	3	2 1/4-12	2.50	3.03	1.50	6.50	3.50	2.50
RC250	3 1/2	2 1/2-12	3.00	3.03	1.50	6.75	3.50	2.75
RC275	4	3-12	3.50	4.03	2.00	8.50	4.50	3.50
RC325	4 1/2	3 1/4-12	3.50	4.03	2.00	8.50	4.50	3.50
RC350	5	3 1/2-12	3.50	4.03	2.00	8.50	4.50	3.50
RC400	5 1/2	4-12	4.00	4.53	2.25	10.00	5.50	4.00



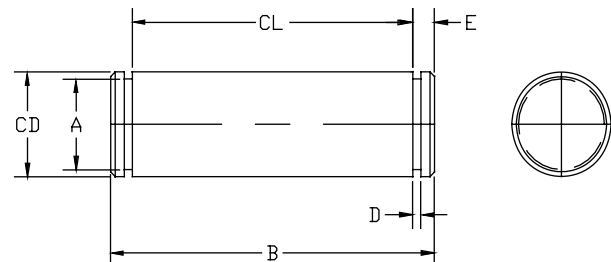
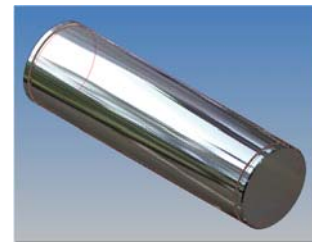
Rod Eye

Part No	Rod Dia	KK	CD	CB	CA	A	ER
FE044	5/8	7/16-20	0.50	0.75	1.50	0.75	0.63
FE050	5/8	1/2-20	0.50	0.75	1.50	0.75	0.63
FE075	1	3/4-16	0.75	1.25	2.06	1.13	0.88
FE087	1	7/8-14	1.00	1.50	2.38	1.13	1.44
FE100	1	1-14	1.00	1.50	2.81	1.63	1.19
FE125	1 3/8	1 1/4-12	1.38	2.00	3.44	2.00	1.56
FE150	1 3/4	1 1/2-12	1.75	2.50	4.00	2.25	2.00
FE175	2	1 3/4-12	2.00	2.50	4.38	2.25	2.88
FE187	2 1/2	1 7/8-12	2.00	2.50	5.00	3.00	2.50
FE225	2 1/2	2 1/4-12	2.50	3.00	5.81	3.50	2.81
FE250	3 1/2	2 1/2-12	3.00	3.00	6.13	3.50	3.25
FE275	4	3-12	3.50	4.00	7.63	4.50	3.88
FE325	4 1/2	3 1/4-12	3.50	4.00	7.63	4.50	3.88
FE350	5	3 1/2-12	3.50	4.00	7.63	5.00	3.88
FE400	5 1/2	4-12	4.00	4.50	9.13	5.50	4.44



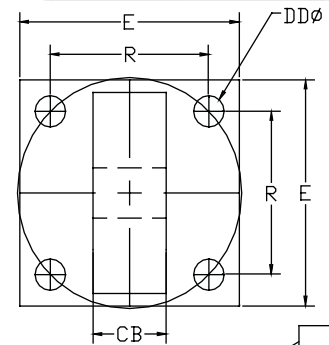
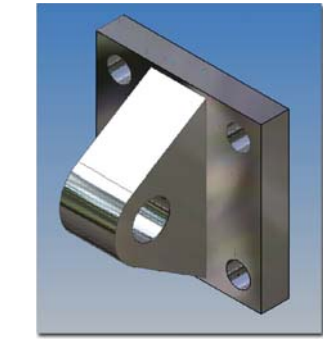
Pivot Pin

Part No.	CL	CD	A	D	E	CL	B
PP050	1.88	0.50	0.47	0.04	0.11	1.88	2.09
PP075	2.63	0.75	0.70	0.05	0.13	2.63	2.88
PP100	3.13	1.00	0.94	0.05	0.13	3.13	3.38
PP138	4.19	1.38	1.29	0.06	0.15	4.19	4.49
PP175	5.19	1.75	1.65	0.07	0.18	5.19	5.55
PP200	5.19	2.00	1.89	0.09	0.22	5.19	5.55
PP250	6.19	2.50	2.36	0.10	0.27	6.19	6.63
PP300	6.25	3.00	2.84	0.12	0.36	6.25	6.78
PP350	8.13	3.50	3.32	0.12	0.36	8.13	8.85
PP400	9.13	4.00	3.79	4.00	4.00	9.13	9.85



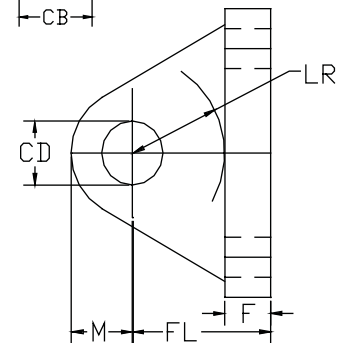
Eye Bracket (High Pressure Hydraulic)

Part Number	H Series	Dimensions								
		CD	CB	DD	E	F	FL	LR	M	R
EB050	1.50	0.50	0.75	0.41	2.50	0.38	1.13	0.75	0.50	1.63
EB075	2.0-2.5	0.75	1.25	0.53	3.50	0.63	1.88	1.25	0.75	2.56
EB100	3.25	1.00	1.50	0.66	4.50	0.75	2.25	1.50	1.00	3.25
EB138	4.00	1.38	2.00	0.66	5.00	0.88	3.00	2.13	1.38	3.81
EB175	5.00	1.75	2.50	0.91	6.50	0.88	3.13	2.25	1.75	4.95
EB200	6.00	2.00	2.50	1.06	7.50	1.00	3.50	2.50	2.00	5.75
EB250	7.00	2.50	3.00	1.19	8.50	1.00	4.00	3.00	2.50	6.59
EB300	8.00	3.00	3.00	1.31	9.50	1.00	4.25	3.25	3.00	7.50



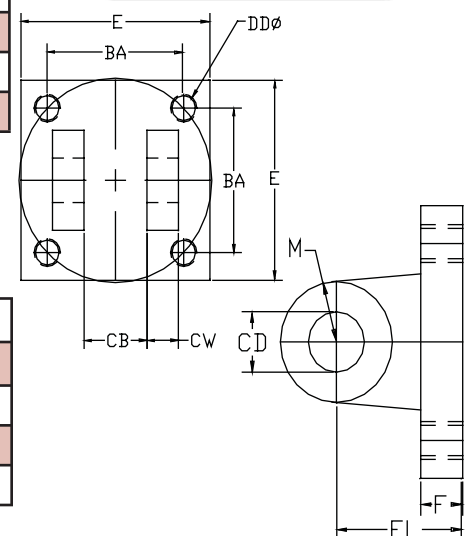
Eye Bracket (Air and Medium Pressure Hydraulic)

Part Number	A & LH Series	Dimensions								
		CD	CB	DD	E	F	FL	LR	M	R
EB050	1.5-2.5	0.50	0.75	0.41	2.50	0.38	1.13	0.75	0.50	1.63
EB075	3.25-5	0.75	1.25	0.53	3.50	0.63	1.88	1.25	0.75	2.56
EB100	6-8	1.00	1.50	0.66	4.50	0.75	2.25	1.50	1.00	3.25



Clevis Bracket (High Pressure Hydraulic)

Part Number	H Series	Dimensions								
		CD	CB	BA	CW	DD	E	F	FL	M
CB050	1.50	0.50	0.77	1.63	0.50	3/8-24	2.50	0.38	1.13	0.50
CB075	2.0-2.5	0.75	1.27	2.56	0.63	1/2-20	3.50	0.63	1.88	0.75
CB100	3.25	1.00	1.52	3.25	0.75	5/8-18	4.50	0.75	2.25	1.00
CB138	4.00	1.38	2.03	3.81	1.00	5/8-18	5.00	0.88	3.00	1.38
CB175	5.00	1.75	2.53	4.94	1.25	7/8-14	6.50	0.88	3.13	1.75
CB200	6.00	2.00	2.53	5.75	1.25	1-14	7.50	1.00	3.50	2.00
CB250	7.00	2.50	3.03	6.59	1.50	1 1/8-12	8.50	1.00	4.00	2.50
CB300	8.00	3.00	3.03	7.50	1.50	1 1/4-12	9.50	1.00	4.25	2.75



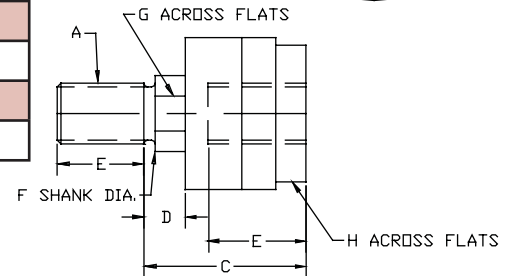
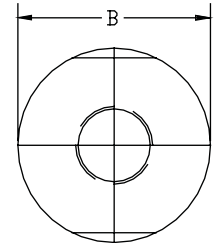
Clevis Bracket (Air and Medium Pressure Hydraulic)

Part Number	A & LH Series	Dimensions								
		CD	CB	BA	CW	DD	E	F	FL	M
CB050	1.5-2.5	0.50	0.77	1.63	0.50	3/8-24	2.50	0.38	1.13	0.50
CB075	4-12	0.75	1.27	2.56	0.63	1/2-20	3.50	0.63	1.88	0.75
CB100	6-8	1.00	1.52	3.25	0.75	5/8-18	4.50	0.75	2.25	1.00



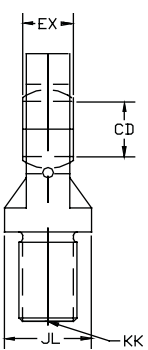
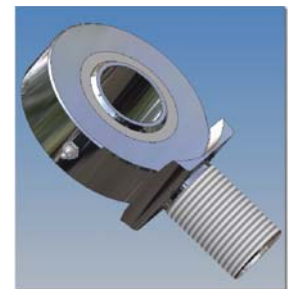
ALIGNMENT COUPLER

Part Number	DIMENSIONS							
	A	B	C	D	E	F	G	H
AC044	7/16-20	1.25	2.00	0.50	0.75	0.63	0.56	1.13
AC050	1/2-20	1.25	2.00	0.50	0.75	0.63	0.56	1.13
AC075	3/4-16	1.75	2.31	0.31	1.13	0.97	0.88	1.50
AC087	7/8-14	1.75	2.31	0.31	1.13	0.97	0.88	1.50
AC100	1-14	2.50	2.94	0.50	1.63	1.38	1.25	2.25
AC125	1 1/4-12	2.50	2.94	0.50	1.63	1.38	1.25	2.25
AC150	1 1/2-12	3.25	4.38	0.81	2.25	1.75	1.50	3.00
AC175	1 3/4-12	3.25	4.38	0.81	2.25	1.75	1.50	3.00
AC187	1 7/8-12	3.75	5.44	0.69	3.00	2.25	1.88	3.50
AC225	2 1/4-12	6.75	6.38	3.25	3.50	2.75	2.38	2.88
AC250	2 1/2-12	7.00	6.50	4.00	3.50	3.25	2.88	3.38



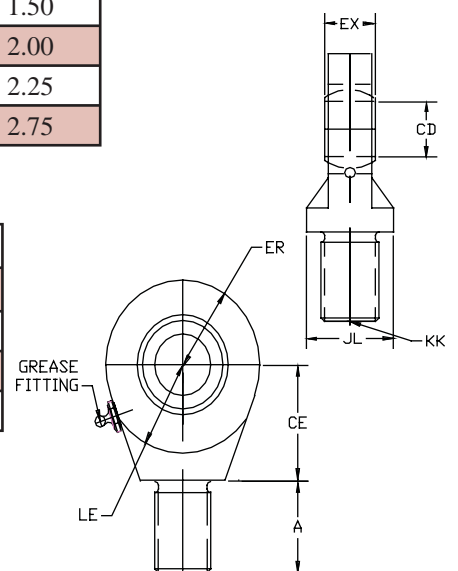
SELF-ALIGNING ROD EYE (High Pressure Hydraulic)

Part Number	H Series	DIMENSIONS							
		KK	A	CD	CE	EX	ER	LE	JL
SAE044	1.50	7/16-20	0.69	0.50	0.88	0.44	0.88	0.75	0.88
SAE075	2.0-2.5	3/4-16	1.00	0.75	1.25	0.03	1.25	1.06	1.31
SAE100	3.25	1-14	1.50	1.00	1.88	0.88	1.38	1.44	1.50
SAE125	4.00	1 1/4-12	2.00	1.38	2.13	1.19	1.81	1.88	2.00
SAE150	5.00	1 1/2-12	2.13	1.75	2.50	1.53	2.19	2.13	2.25
SAE187	6.00	1 7/8-12	2.88	2.00	2.75	1.75	2.63	2.50	2.75



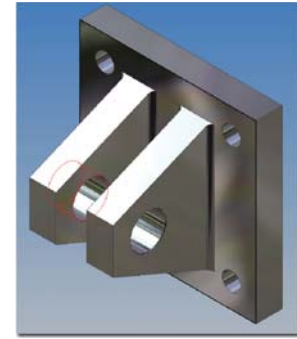
SELF-ALIGNING ROD EYE (A and LH Series)

Part Number	A & LH Series	DIMENSIONS							
		KK	A	CD	CE	EX	ER	LE	JL
SAE044	1.5-2.5	7/16-20	0.69	0.50	0.88	0.44	0.88	0.75	0.88
SAE075	3.25-5	3/4-16	1.00	0.75	1.25	0.03	1.25	1.06	1.31
SAE100	6-8	1-14	1.50	1.00	1.88	0.88	1.38	1.44	1.50



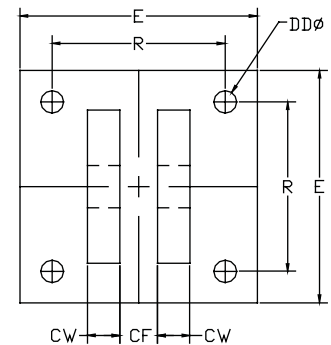
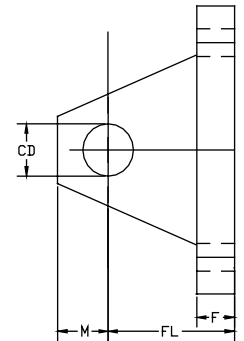
SELF-ALIGNING CLEVIS BRACKET (H Series)

Part Number	H Series	DIMENSIONS								
		CD	E	F	M	R	CF	CW	DD	FL
SCB050	1.50	0.50	3.00	0.50	0.50	2.05	0.44	0.50	0.41	1.50
SCB075	2.0-2.5	0.75	3.75	0.62	0.88	2.76	0.66	0.62	0.53	2.00
SCB100	3.25	1.00	5.50	0.75	1.00	4.10	0.88	0.75	0.53	2.50
SCB137	4.00	1.38	6.50	0.88	1.38	4.95	1.19	1.00	0.66	3.50
SCB175	5.00	1.75	8.50	1.25	1.75	6.58	1.53	1.25	0.91	4.50
SCB200	6.00	2.00	10.62	1.50	2.00	7.92	1.75	1.50	0.91	5.00



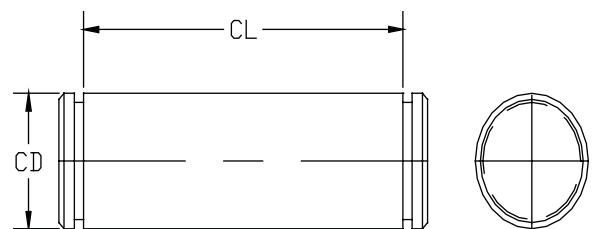
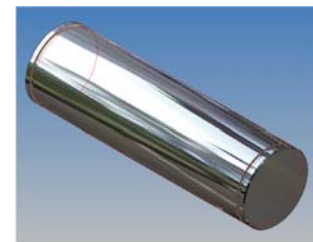
SELF-ALIGNING CLEVIS BRACKET (A and LH Series)

Part Number	A & LH Series	DIMENSIONS								
		CD	E	F	M	R	CF	CW	DD	FL
SCB050	3-12	0.50	3.00	0.50	0.50	2.05	0.44	0.50	0.41	1.50
SCB075	3.25-5	0.75	3.75	0.62	0.88	2.76	0.66	0.62	0.53	2.00
SCB100	6-8	1.00	5.50	0.75	1.00	4.10	0.88	0.75	0.53	2.50
SCB137	4-12	1.38	6.50	0.88	1.38	4.95	1.19	1.00	0.66	3.50
SCB175		1.75	8.50	1.25	1.75	6.58	1.53	1.25	0.91	4.50
SCB200		2.00	10.62	1.50	2.00	7.92	1.75	1.50	0.91	5.00



SA PIVOT PINS

Part Number	H Series	A & LH Series	DIMENSIONS	
			CD	CL
PP050SA	1.50	1.5-2.5	0.500	1.56
PP075SA	2.0-2.5	3.25-5	0.750	2.03
PP100SA	3.25	6-8	1.000	2.50
PP138SA	4.00		1.374	3.31
PP175SA	5.00		1.750	4.22
PP200SA	6.00		2.000	4.94



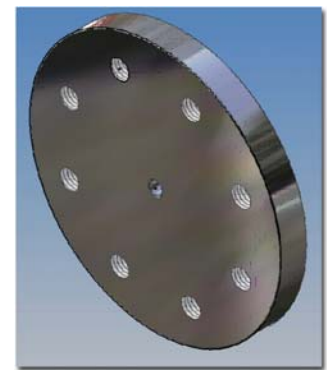
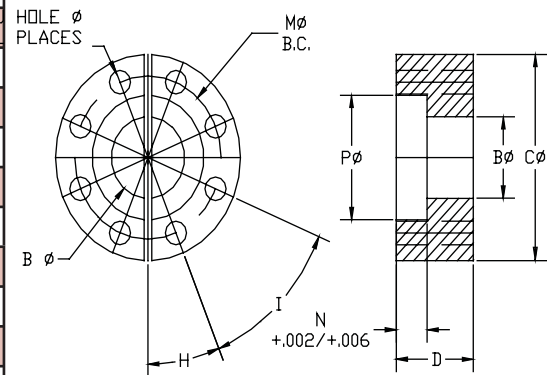
Safety Coupler

Safety Couplers create a stronger connection than a standard threaded rod end and provide closer radial alignment making installation quicker and results in less wear of component parts by allowing for radial misalignment. Some additional Safety Coupler advantages include:



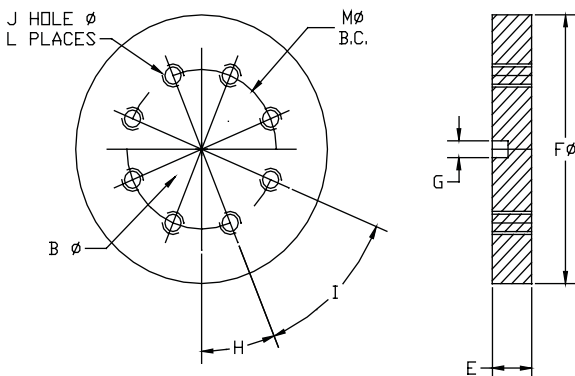
1. Faster close radial alignment important for long cylinder life
2. Less critical rod end to machine attachment
3. Use with any JIT cylinder with 5/8" or larger rod diameter
4. Use with no extra cost JIT Style 4 rod end
5. Faster cylinder installation and removal
6. Better force distribution on push and pull strokes
7. For use with fixed mount cylinders

Part No.	Rod Dia	Dimensions									
		B	C	D	H	I	J	L	M	N	P
SC062	0.63	0.41	1.50	0.56	45o	90o	0.22	4	1.13	0.25	0.66
SC100	1.00	0.75	2.00	0.88	30o	60o	0.28	6	1.50	0.38	1.06
SC138	1.38	0.94	2.50	1.00	30o	60o	0.34	6	2.00	0.38	1.44
SC175	1.75	1.19	3.00	1.25	22.5o	45o	0.34	8	2.38	0.50	1.81
SC200	2.00	1.44	3.50	1.63	15o	30o	0.41	12	2.69	0.63	2.06
SC250	2.50	1.88	4.00	2.88	15o	30o	0.41	12	3.19	0.75	2.63
SC300	3.00	2.38	5.00	2.38	15o	30o	0.53	12	4.00	0.88	3.13
SC350	3.50	2.63	5.88	2.63	15o	30o	0.66	12	4.69	1.00	3.63
SC400	4.00	3.13	6.38	2.63	15o	30o	0.66	12	5.19	1.00	4.13
SC450	4.50	3.63	6.88	3.13	15o	30o	0.66	12	5.69	1.50	4.63
SC500	5.00	4.00	7.38	3.13	15o	30o	0.66	12	6.19	1.50	5.13
SC550	5.50	4.50	8.25	3.88	15o	30o	0.78	12	6.88	1.88	5.63



Weld Plate

Also available as a convenient accessory (optional at extra cost) is a Weld Plate to match each Safety Coupler. The Weld Plate provides the perfect answer to customers who prefer to weld a pre-drilled and tapped, properly sized plate to the machine, rather than laying out, drilling and tapping each hole in the machine. The Weld Plate is equipped with an accurately drilled locator pin hole to facilitate fast, close tolerance positioning. Advantages of our Safety Coupler option include:



Part No.	Size	E	F	G	H	I	K	L	M
WP062	0.63	0.50	2.00	0.25	45o	90o	10-24	4	1.13
WP100	1.00	0.50	2.50	0.25	30o	60o	1/4-20	6	1.50
WP137	1.38	0.63	3.00	0.25	30o	60o	5/16-18	6	2.00
WP175	1.75	0.63	4.00	0.25	22.5o	45o	5/16-18	8	2.38
WP200	2.00	0.75	4.00	0.38	15o	30o	3/8-16	12	2.69
WP250	2.50	0.75	4.50	0.38	15o	30o	3/8-16	12	3.19
WP300	3.00	1.00	5.50	0.38	15o	30o	1/2-13	12	4.00
WP350	3.50	1.00	7.00	0.38	15o	30o	5/8-11	12	4.69
WP400	4.00	1.00	7.00	0.38	15o	30o	5/8-11	12	5.19
WP450	4.50	1.00	8.00	0.38	15o	30o	5/8-11	12	5.69
WP500	5.00	1.00	8.00	0.38	15o	30o	5/8-11	12	6.19
WP550	5.50	1.25	9.00	0.38	15o	30o	3/4-10	12	6.88