
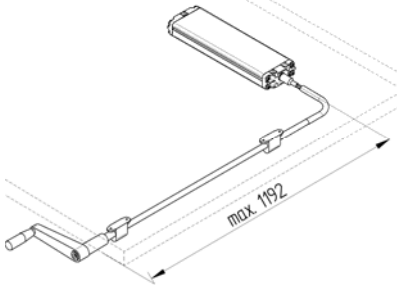
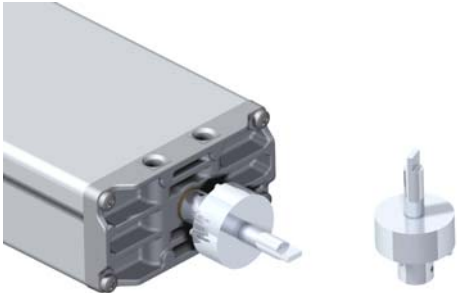
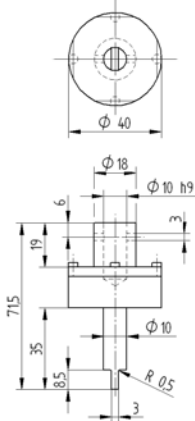
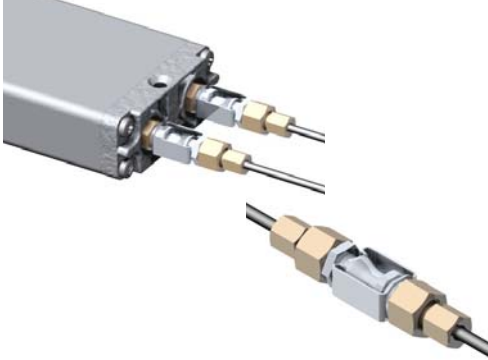
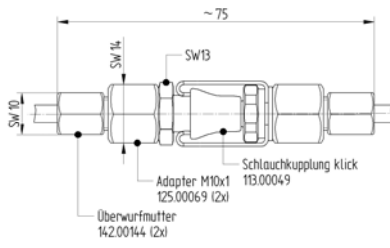
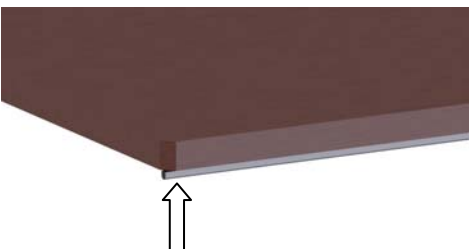
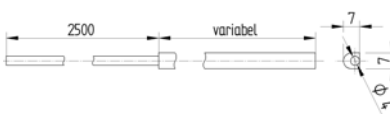

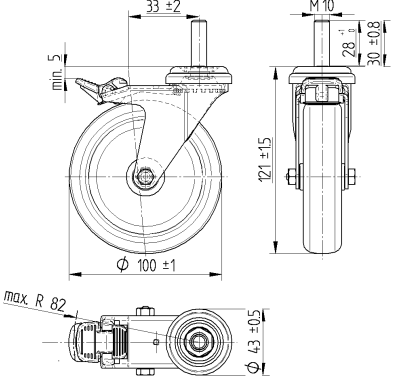
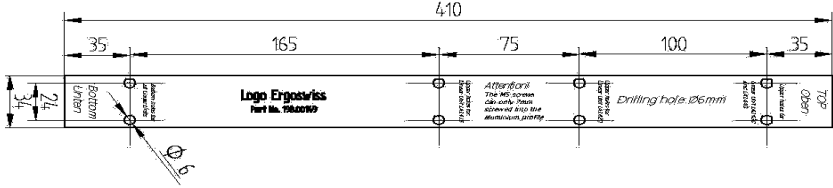

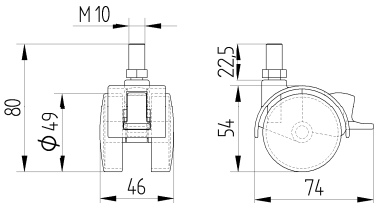

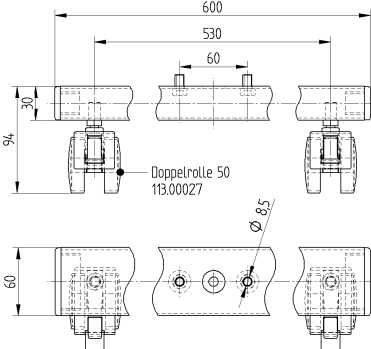

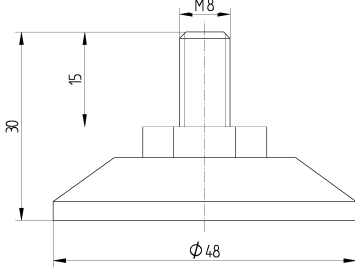
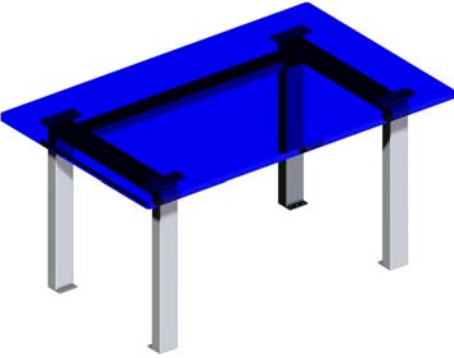
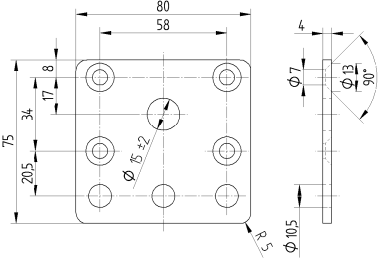

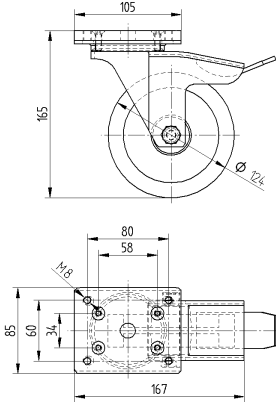

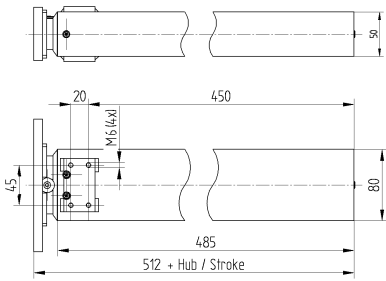

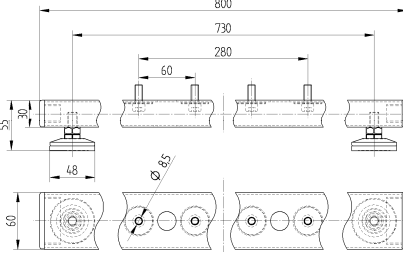

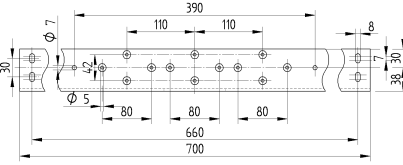

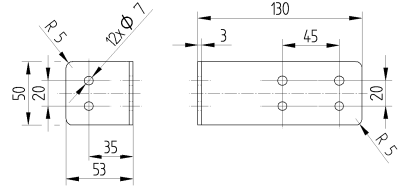
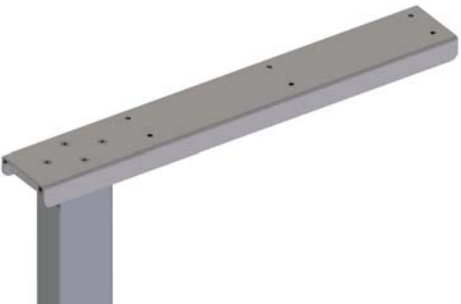
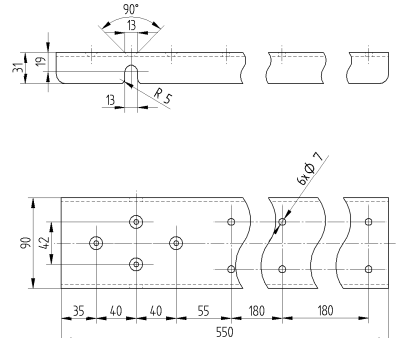
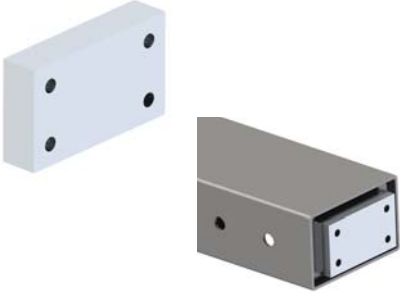
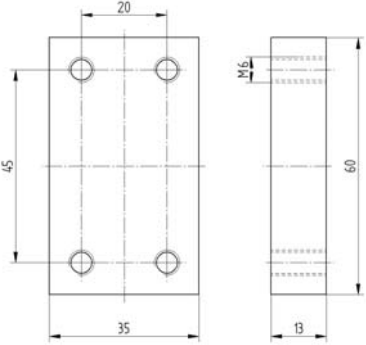

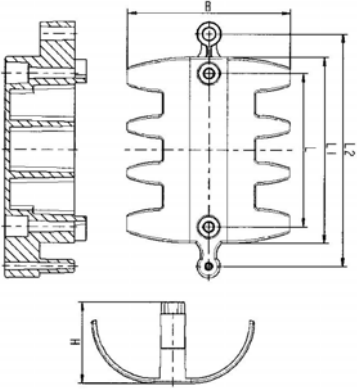

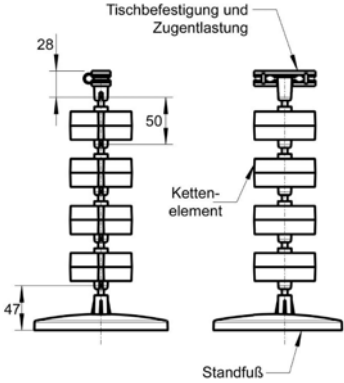




Application	Technical Data	Description
		<p>Hand Crank 90° comp. Part No.: 113.00070 (to the pumps PA and PB)</p> <p>The hand crank 90° comp. is used when the plate size is too low to place the pump directly to the table edge. The wave is 1 meter long and can be tailored to the required length.</p>
		<p>Safety Clutch Part No.: 113.00022 (to the pump PB)</p> <p>It is used if a torque of 8 Nm must not be crossed. With this it is not possible to get overload on the system. The safety clutch can only be used in combination with the hand crank.</p>
		<p>Hose Coupling Click Part No.: 113.00048 (to the tubing)</p> <p>It is used to disconnect the tubing without losing oil. For example for transporting the system. Coupling and decoupling is possible up to a max. pressure of 30 bars.</p>
		<p>Squeeze Line 2.5m / variable Part No.: 124.00100 (to the drive type D)</p> <p>Is used as a pinch – guard in combination with the motor unit type D. As soon as the line is driving against something, the motor stops and the system drives up a few mm to deblock.</p>

Application	Technical Data	Description
		<p>Castor LA 100 Part No.: 113.00040 (to the linear units LA and LB)</p> <p>The castor LA 100 gets screwed into the linear unit.</p> <p>max. load 70 kg (110 lbs) incl. brake</p>
		<p>Sticker LA Part No.: 198.00149 (to the linear units LA and LD)</p> <p>The Sticker serves as an assembly aid (drilling template).</p>
		<p>Roll 50 Part No.: 113.00027 (to the TA-2 system)</p> <p>The roll is used as an alternative to the table foot TA-B.</p> <p>max. load 50 kg incl. brake</p>
		<p>Table foot TA-B roll Part No.: 127.00074 (to the table foot TA-B)</p> <p>As an alternative to the table foot TA-B are rolls available.</p> <p>Includes table foot and two rolls.</p>

Application	Technical Data	Description
		<p>Rubber foot TA Part No.: 113.00021 (to the table legs TA)</p> <p>The rubber foot TA is used to clear unevenness of the floor. The rubber foot TA is included to the complete frames TA-4.</p>
		<p>Foot plate TA Part No.: 127.00033 (to the table legs TA)</p> <p>In place of the rubber foot you can apply the foot plate. An easy way to screw the leg into the ground</p>
		<p>Castor 125 for TA-4 Part No.: 113.00033 (to the table legs TA)</p> <p>The guide roll can be used if the workplace has to be movable. It also can be used for a mobile workshop.</p> <p>max. load 180 kg (400 lbs) incl. brake</p>
	<p>Drawing: TA 1440 2P</p> 	<p>Table leg TA 1440 2P Part No.: 106.00141</p> <p>Table leg TA 1450 2P Part No.: 106.00142</p> <p>The table legs TA 1440 2P and TA 1450 2P have mounting plates on both sides, which allows using this leg in the middle of a long table.</p>

Application	Technical Data	Description
		<p>Table foot TA-C 800 Part No.: 127.00168</p> <p>The table foot TA-C 800 is for optimal steadiness and high load from a plate breadth of 800mm.</p>
		<p>Plate carrier TA-C compl. Part No.: 127.00167</p> <p>The extended plate carrier is used for a plate breadth of more than 800 mm or in combination with the table foot TA-C 800.</p>
		<p>Angle bracket TA compl. Part No.: 127.00075 (to the table legs TA)</p> <p>The angle bracket is used to fix the table leg TA direct on a wall. For example in kitchens.</p>
		<p>Plate carrier TA 600 / 75 compl. Part No.: 127.00076 (to the table legs TA)</p> <p>The extended plate carrier is used in combination with the angle bracket.</p>

Application	Technical Data	Description
		<p>Crossbar connecting plate Part No.: 127.00199 (to the crossbars TA)</p> <p>With the crossbar connecting plate it is possible to connect two or more crossbars with each other. In this way any lengths can be assembled.</p>
		<p>Cable Channel horizontal Part No.: 143.00091</p> <p>The cable channel could be screwed below the table plate. It is made as a chain made of 18 elements with a max. length of 1.8m (70"). Chain links can easily moved away to shorten the channel.</p>
		<p>Cable Channel vertical Part No.: 143.00090</p> <p>The cable channel could be screwed below the table plate. Included in the foot is a steel plate to increase the stability. Chain links can easily moved away to shorten the channel. Max. length 1.2m (47") incl. cord grip</p>
		<p>PC Holder Part No.: 116.00020</p> <p>The PC holder gets fastened with screws (alternative adhesive tape) below the desk plate. It is made for CPU breadths between 50 to 275 mm and heights between 380 to 580 mm. max. load 20 kg (45 lbs)</p>