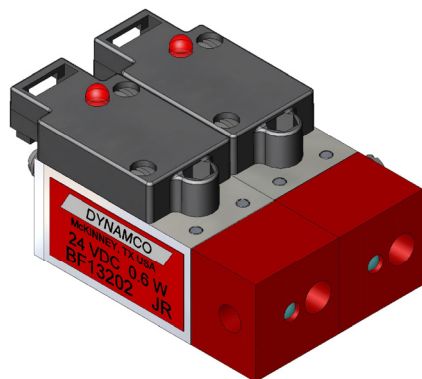


Dynamco Bleed/Feed Valve



What is a Bleed/Feed Valve?

A Bleed/Feed valve acts as a 3-way, 3-position, closed center control valve, with two solenoid operators. As you can see from the pictures to the left, the Bleed/Feed valve is essentially two DASH 1 valves that have been mounted together, with special porting, depending on the customer requirements.

How does it work?

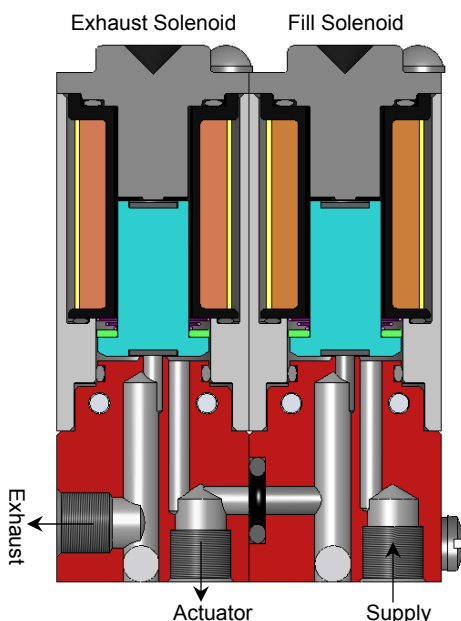
Each Bleed/Feed valve has 3 ports and two solenoids. There are two primary configurations: *standard* and *fail-safe*.

Standard configuration: The air source is supplied to the Supply Port. When the Fill Solenoid is energized, air flows from the Supply Port to the Actuator Port. When the Exhaust Solenoid is energized, air flows from the Actuator Port to the Exhaust Port. When neither solenoid is energized, the valve is in a closed position, with no flow passing through the valve.

Fail-safe configuration* performs the same function, but is designed to exhaust when neither solenoid is energized. As before, the air supply enters the valve at the Supply Port. When *both* the Fill and Exhaust Solenoids are energized together, air flows from the Supply Port to the Actuator Port. When only the Exhaust Solenoid is energized, the valve is in the closed position, with no flow passing through the valve. Finally, when *neither* solenoid is energized, the air flow flows from the Actuator Port to the Exhaust Port.

*Not shown

Applications abound for this type of control and we have been involved with customers driving pump systems for medical applications, designing industrial pressure transducers and even controlling suspension systems.



Typical Applications:

- EMT Simulations
- Blood Pressure Monitors
- Kidney Dialysis Machines
- HVAC Controls
- Cylinder Positioning
- Air Springs
- Air Suspension Systems
- Emissions Analysis
- Lumbar Support Systems

EXAMPLE: **BF1 3 2 02**

Valve Type
 (See Valve Characteristics Below)
 BF1... BF3... BF5...
 BF2... BF4...

Valve Ports and Mounting
 02..... Ports in Body, Screw Mount
 06..... Ports in Body, P.C. Board Mount

Voltage (For Both Coils)
 1..... 5 VDC
 2..... 12 VDC
 3..... 24 VDC
 A..... 5 VDC with Diode
 B..... 12 VDC with Diode
 C..... 24 VDC with Diode

Connector (For Both Coils)
 2..... Electronic
 3..... DIN
 4..... P.C. Board Mount

VALVE TYPE	VALVE FUNCTION	ORIFICE IN (MM)	POWER (WATTS)	Allowable Output-SUP Difference	Bar Vacuum							
					1	2	3	4	5	6	7	8
BF1	EXH. N.C.	.031(0.8)	0.6	50 psi	50 100 PSIG							
BF2	EXH. N.C.	.062(1.6)	2.5	20 psi	50 100 PSIG							
BF3	EXH. N.C.	.031(0.8)	1.2	75 psi	50 100 PSIG							
BF4	EXH. N.C.	.062(1.6)	1.2	20 psi	50 100 PSIG							
BF5	EXH. N.C.	.089(2.3)	2.5	10 psi	50 100 PSIG							

